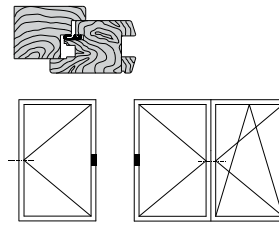
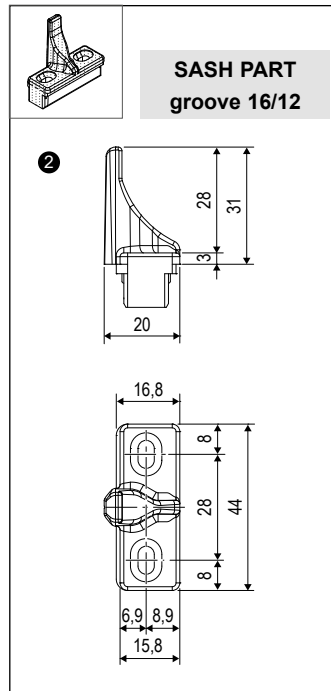
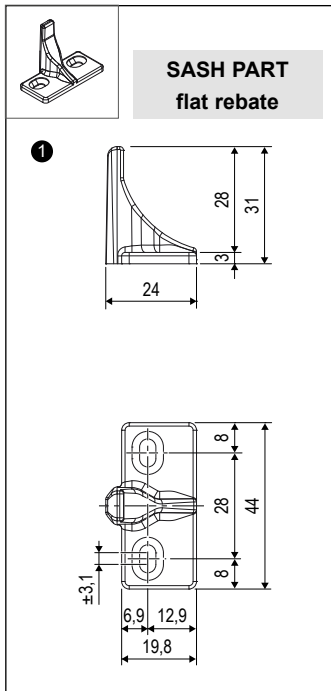


Embedded hidden central hinge, gap 12, axis 13



Description

Sash and frame part of the concealed, recessed central hinge, for second sash, non-handed for doors/windows gap 12, axis 13.

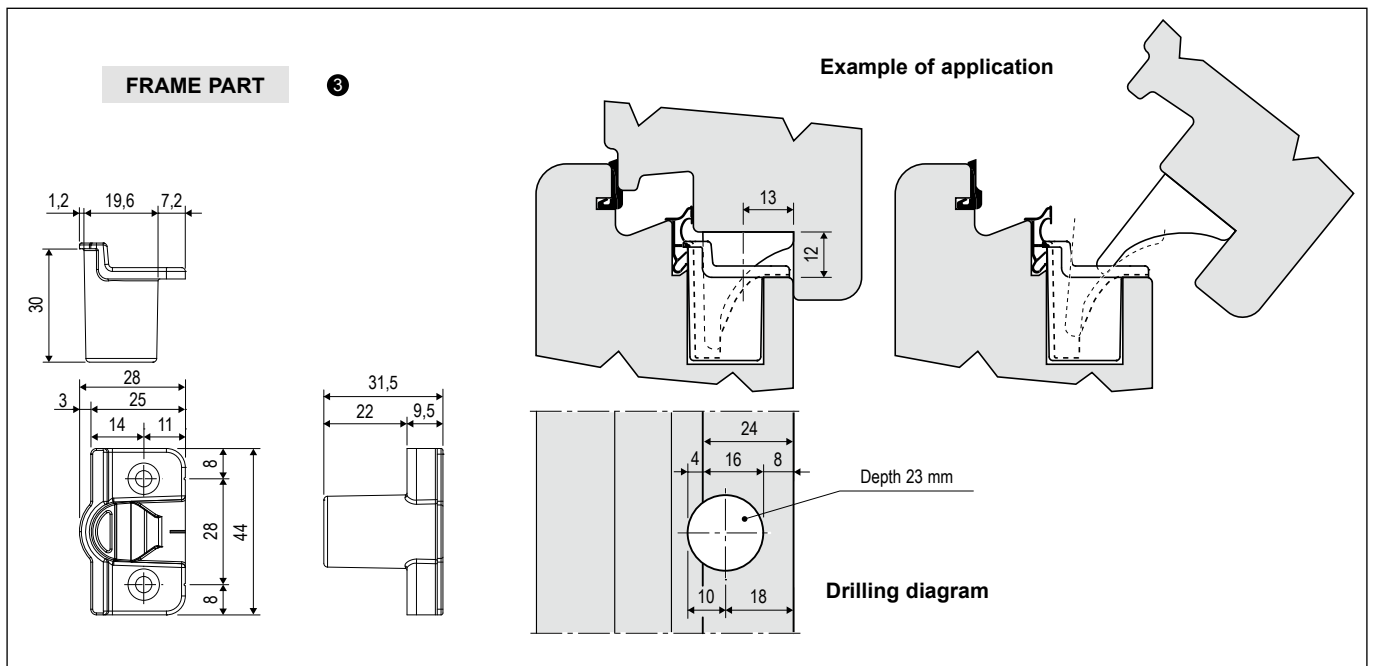
Application

Hinge which, positioned on jamb on the side of the hinges, prevents wood give, adjusts possible deviation between sash and frame, and maintains gasket pressure even under strong wind stress conditions. It may also be used as an anti-burglar component.

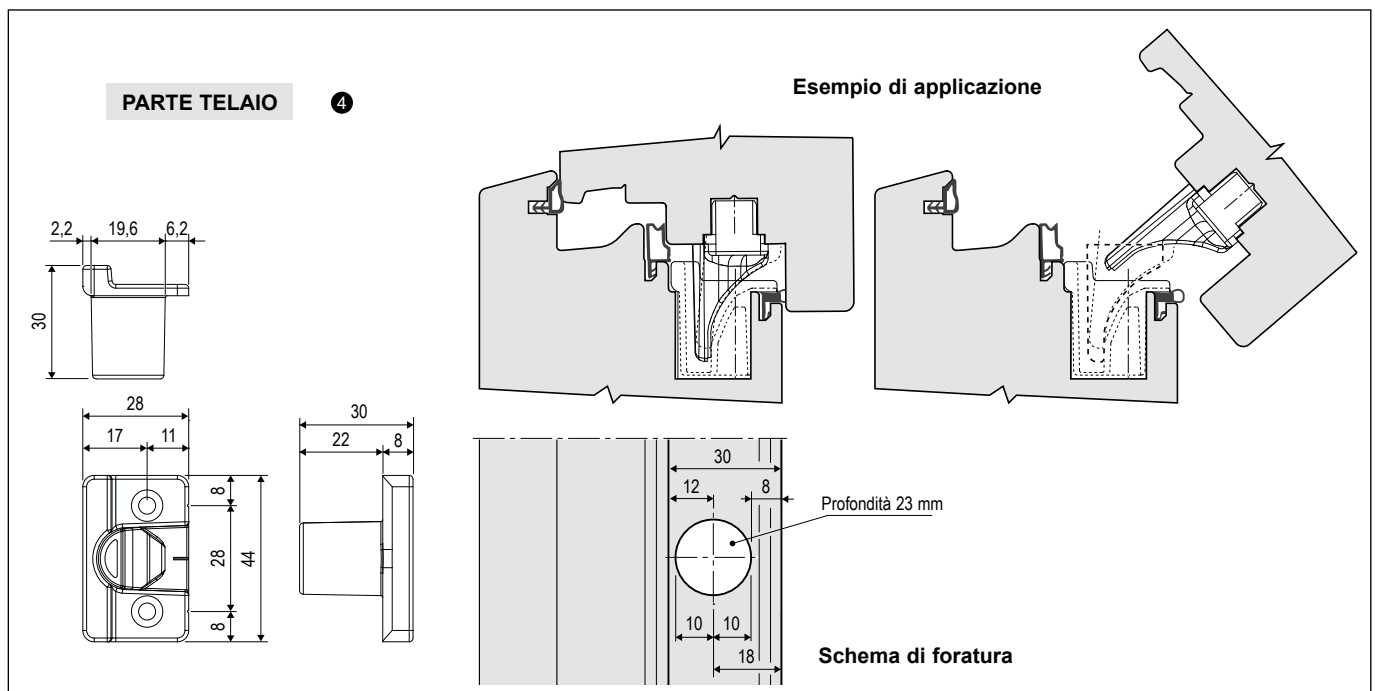
Mounting

4x40 mm screws.

NB. Use A52006.13.00 jig with drill and milled component ø20 to bore central hole.



Centrale a scomparsa ad incasso, aria 12, interasse 13



Specifiche d'ordine

	Articolo	Interasse	Aria	Descrizione
❶	A51211.30.00	13	-	Cerniera centrale a scomparsa - parte anta, battuta liscia
❷	A51211.00.01	-	-	Cerniera centrale a scomparsa - parte anta, canalino 16/12
❸	A51212.30.CR	13	12	Cerniera centrale a scomparsa - parte telaio
❹	A51212.30.MN	13	12	Cerniera centrale a scomparsa - parte telaio sede 30 mm