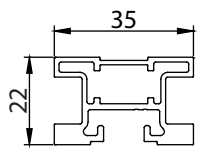


Instruction manual  
Montageanleitung  
Manuale di istruzioni

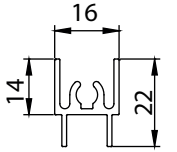


KDRQ-3000x1500  
KDRE-3000x1500  
KDRW

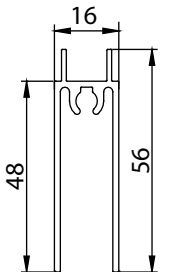
### KDRQ-3000x1500



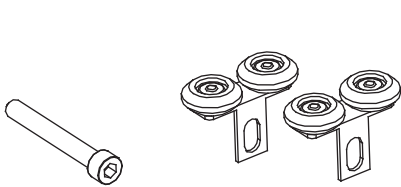
2x - 3000mm



1x - 1500mm

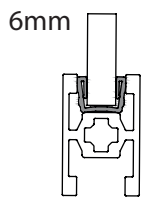


1x - 1500mm

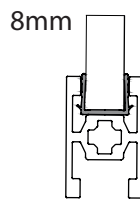


4x

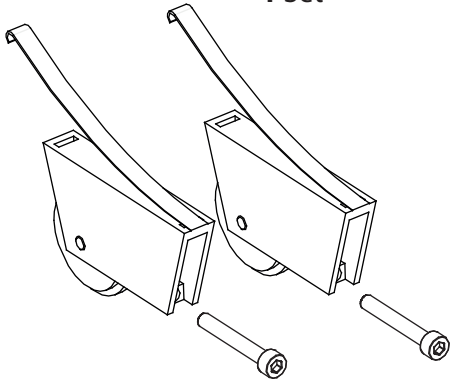
1 Set



1x - 9000mm



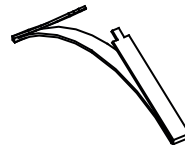
1x - 9000mm



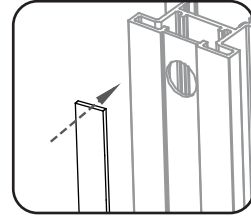
1 Set



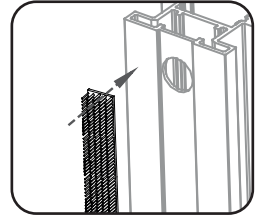
4x



2x

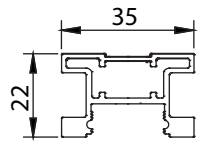


8x

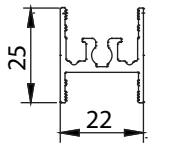


1x - 6000mm

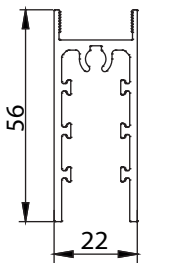
### KDRE-3000x1500



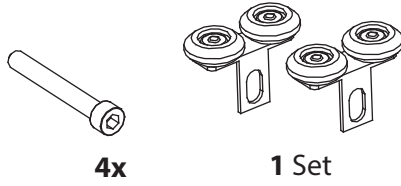
2x - 3000mm



1x - 1500mm

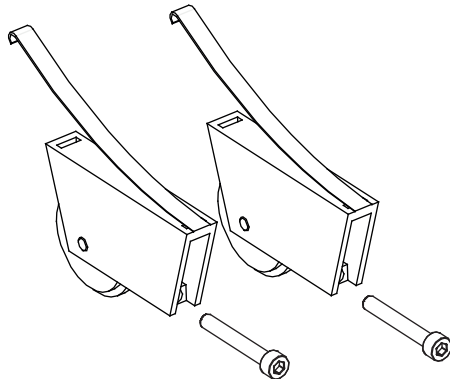


1x - 1500mm



4x

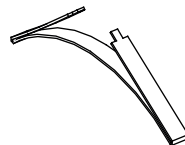
1 Set



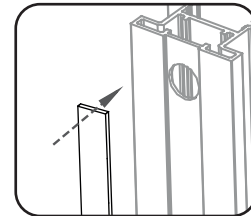
1 Set



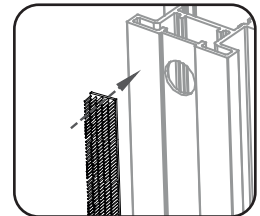
4x



2x

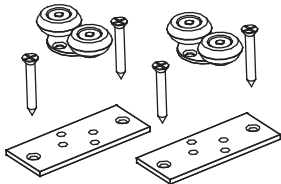


8x

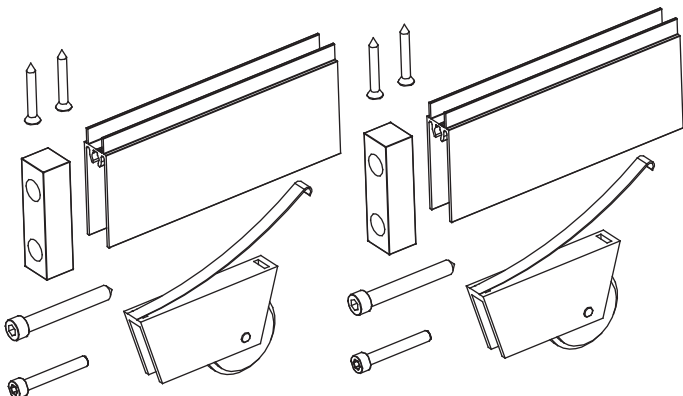


1x - 6000mm

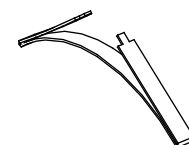
### KDRW



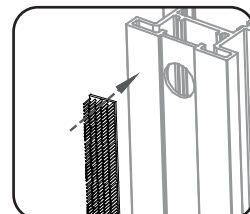
1 Set



1 Set

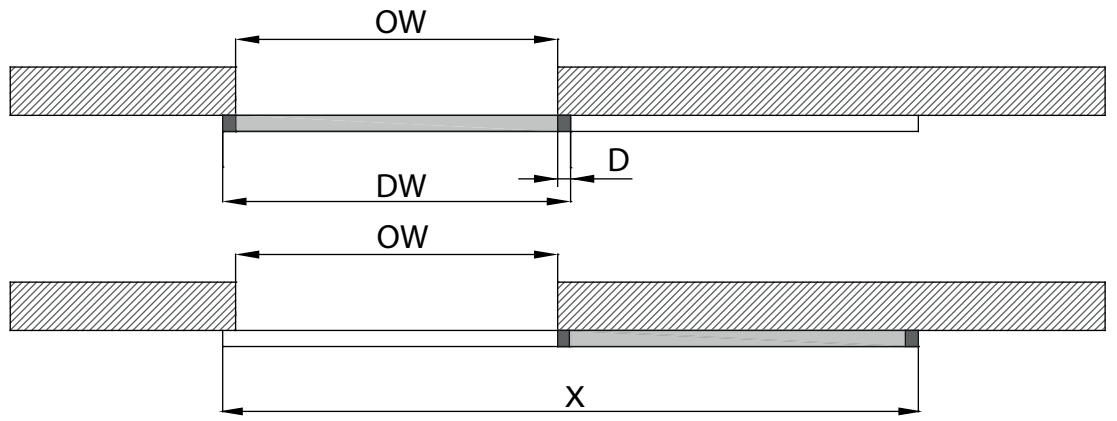


2x

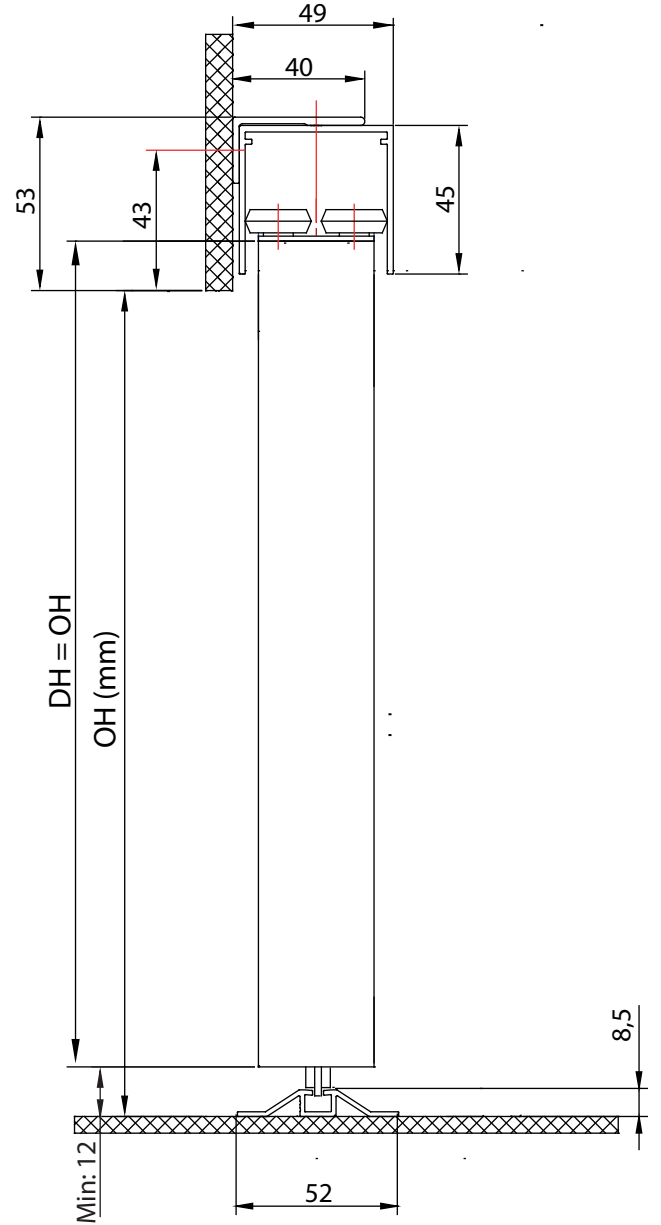
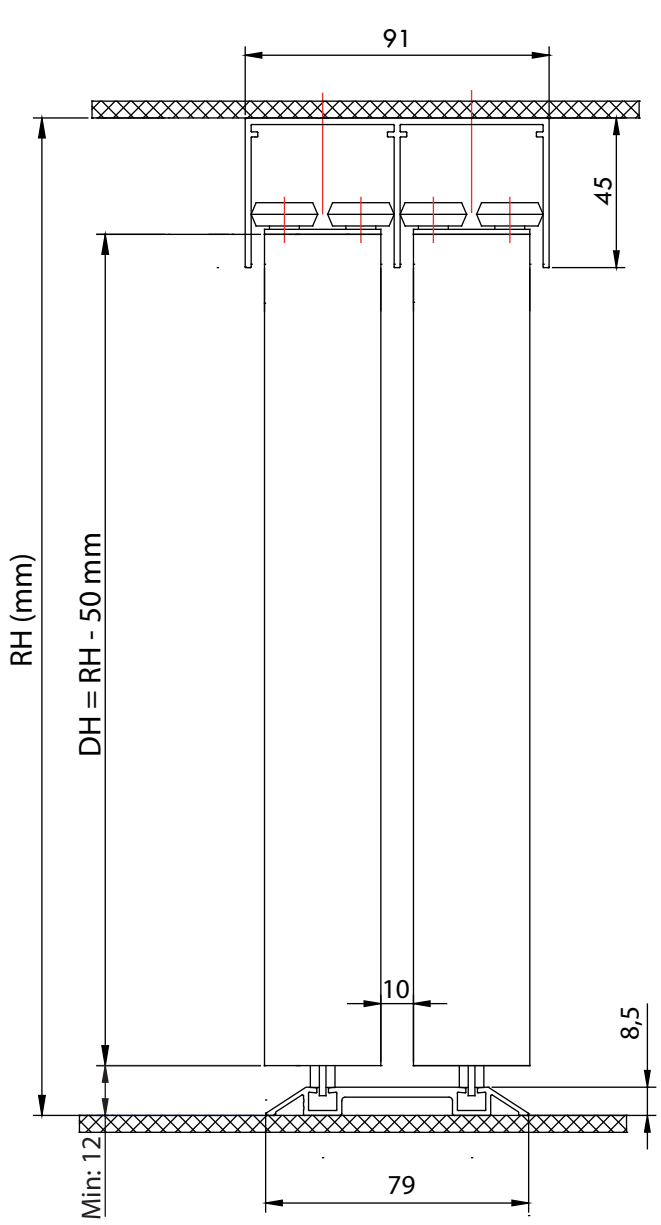
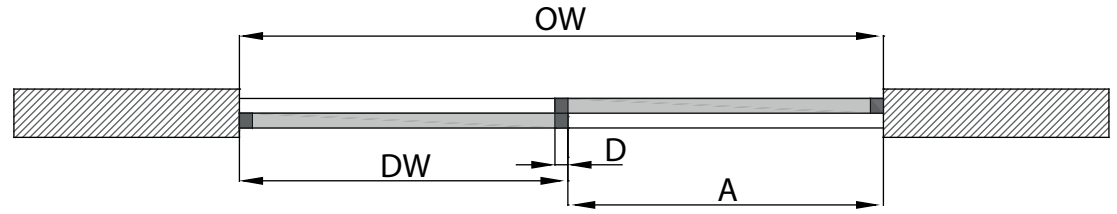


1x - 6000mm

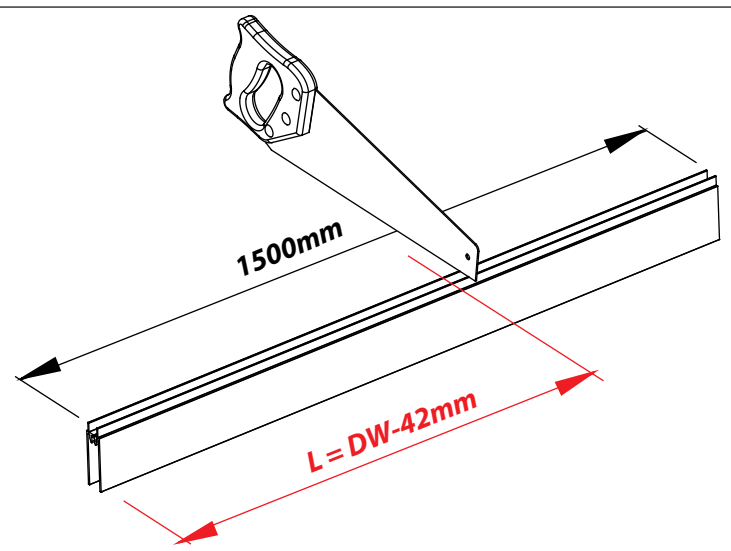
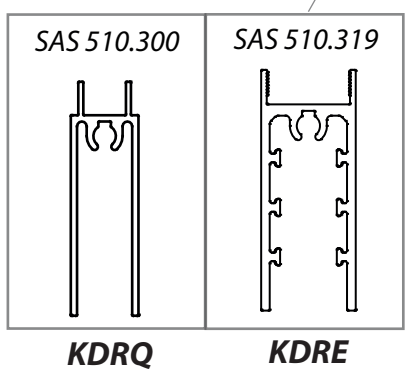
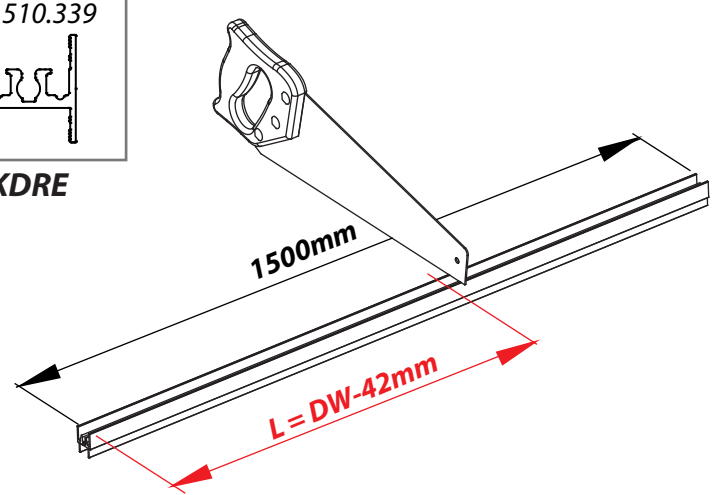
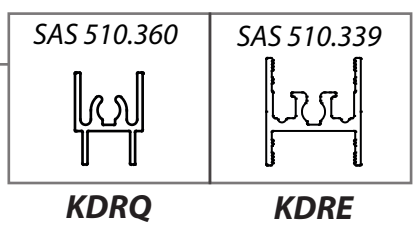
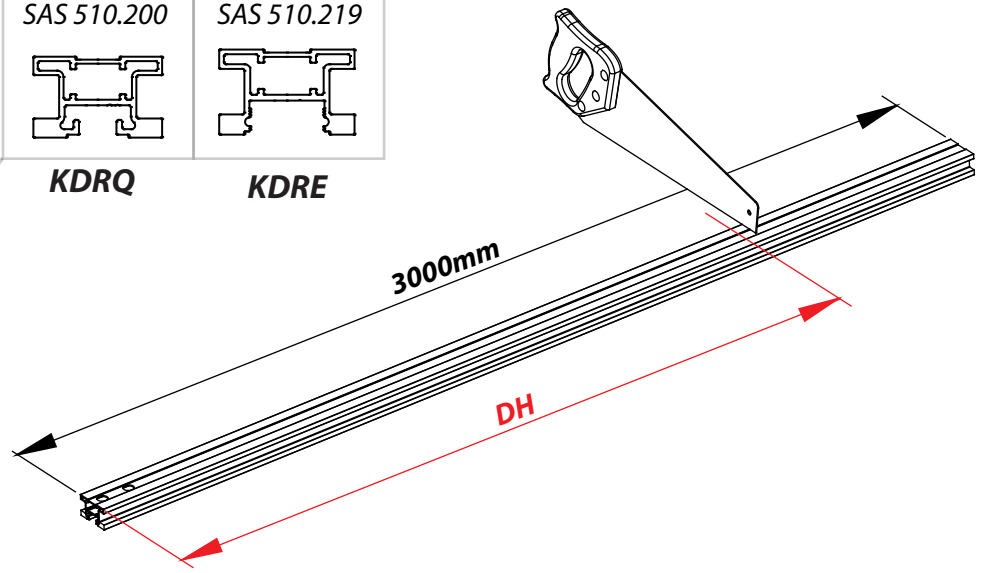
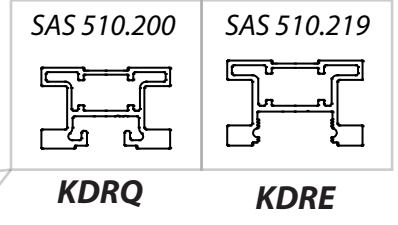
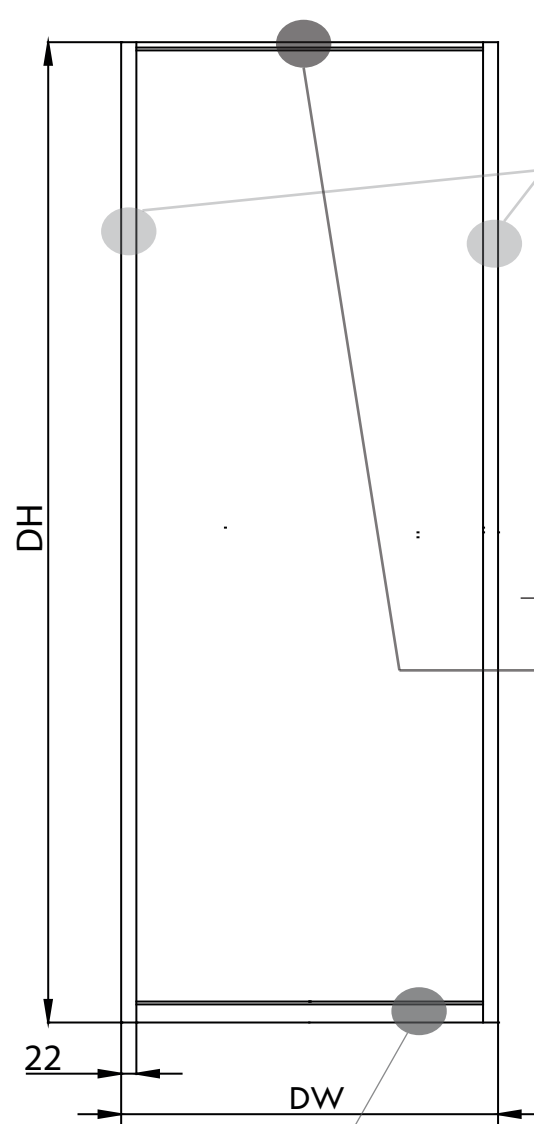
$X = DW \times 2$   
 $DW = OW + (2 \times D)$



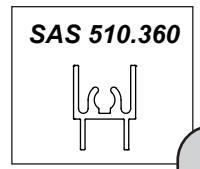
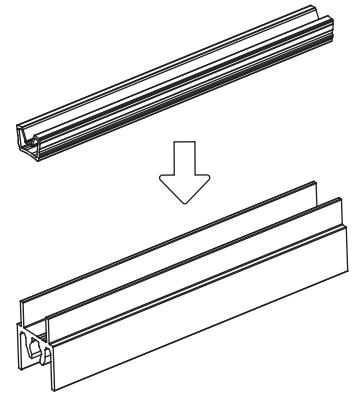
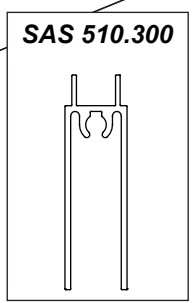
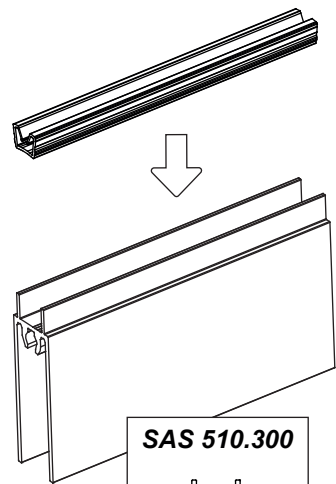
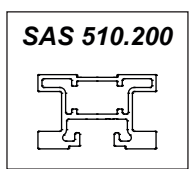
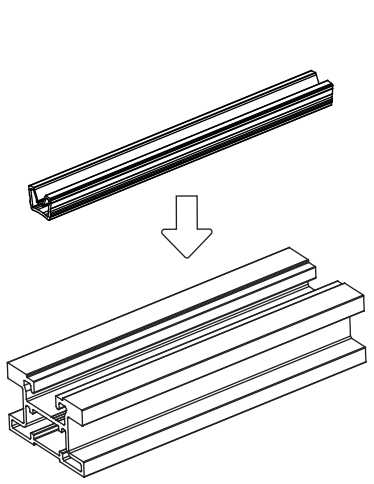
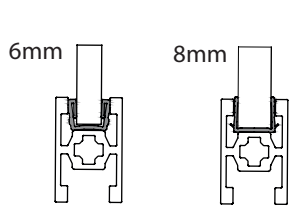
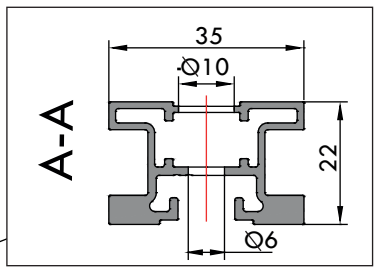
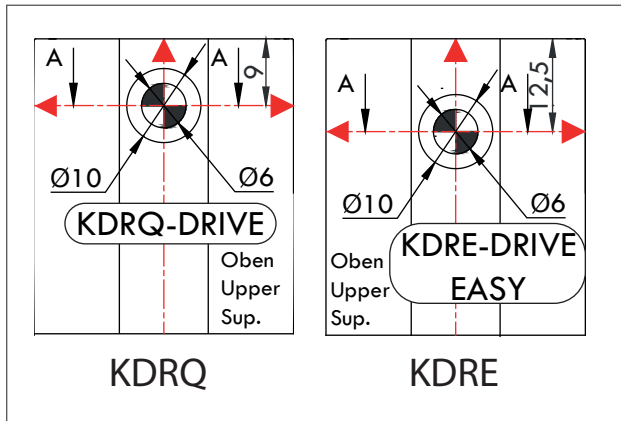
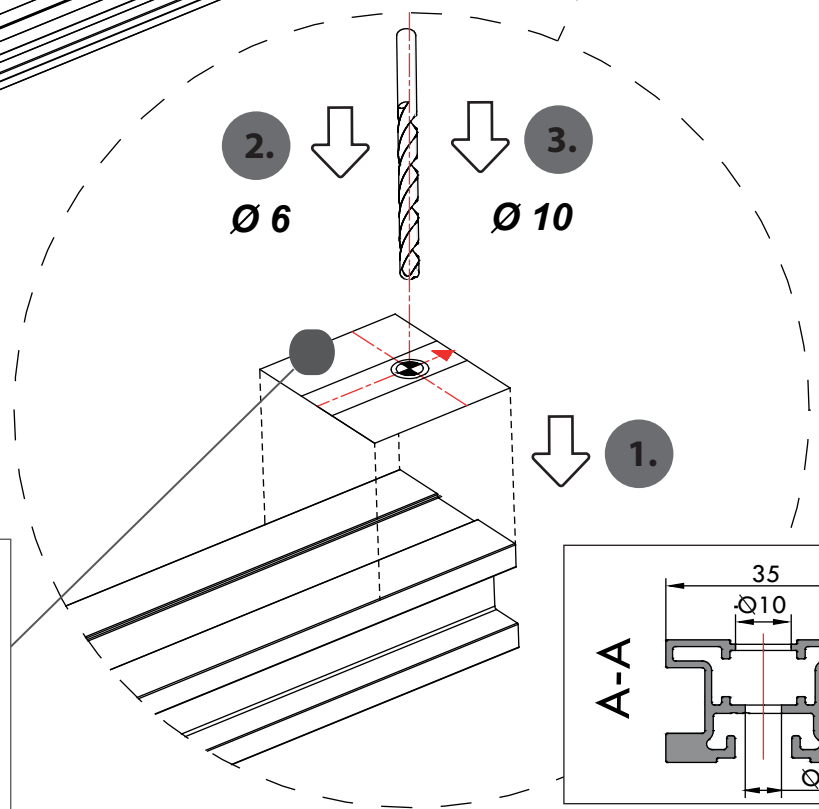
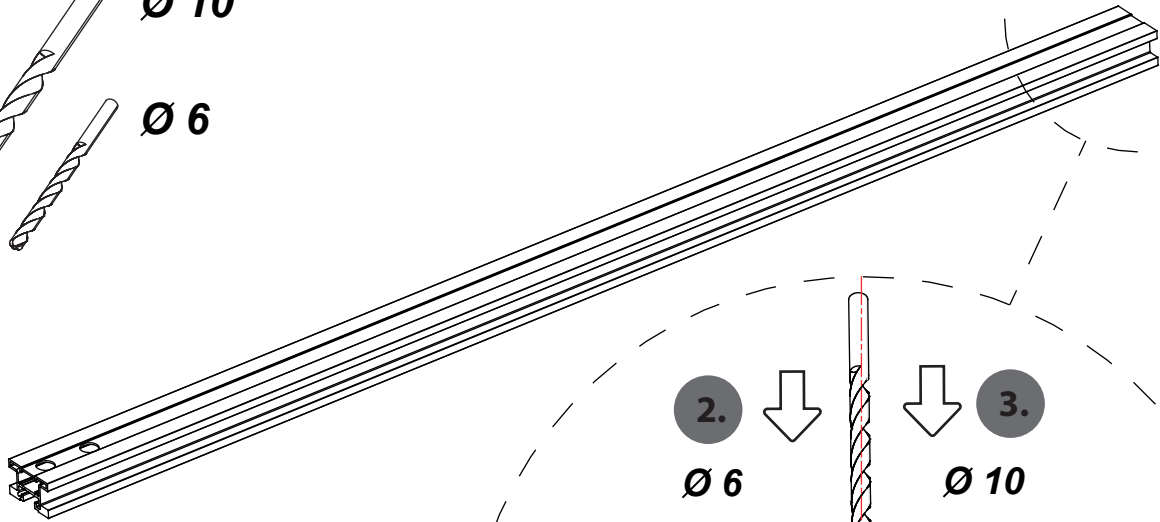
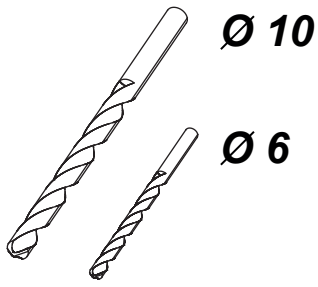
$DW = (OW + D) / 2$   
 $A = OW - DW$



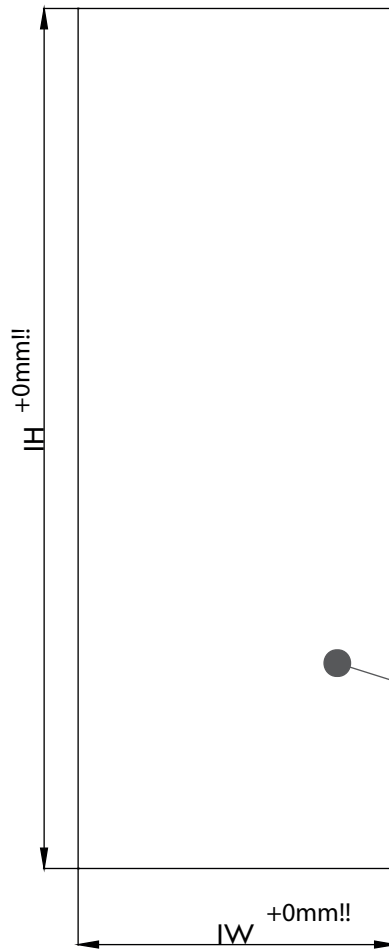
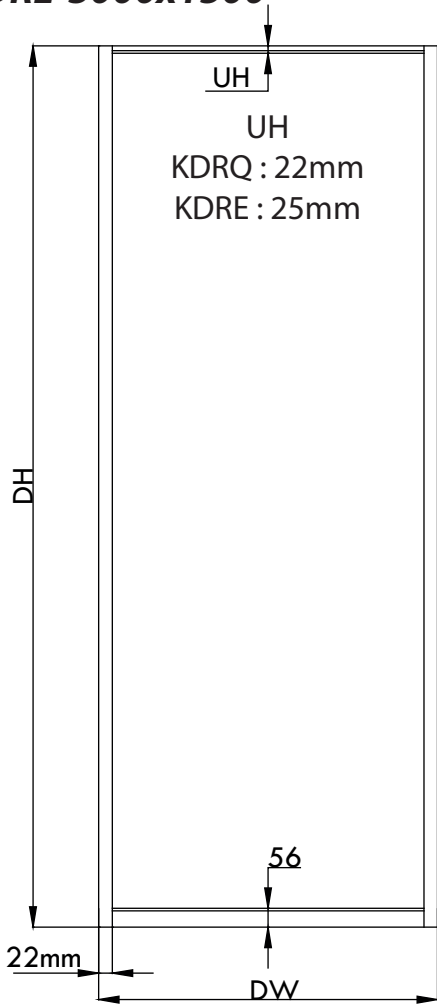
**KDRQ-3000x1500**  
**KDRE-3000x1500**



**KDRQ-3000x1500**  
**KDRE-3000x1500**



**KDRQ-3000x1500**  
**KDRE-3000x1500**



**KDRQ-3000x1500**

6mm

$IW = DW - 31mm$

$IH = DH - 65mm$

8mm

$IW = DW - 30mm$

$IH = DH - 64mm$

10mm

$IW = DW - 29mm$

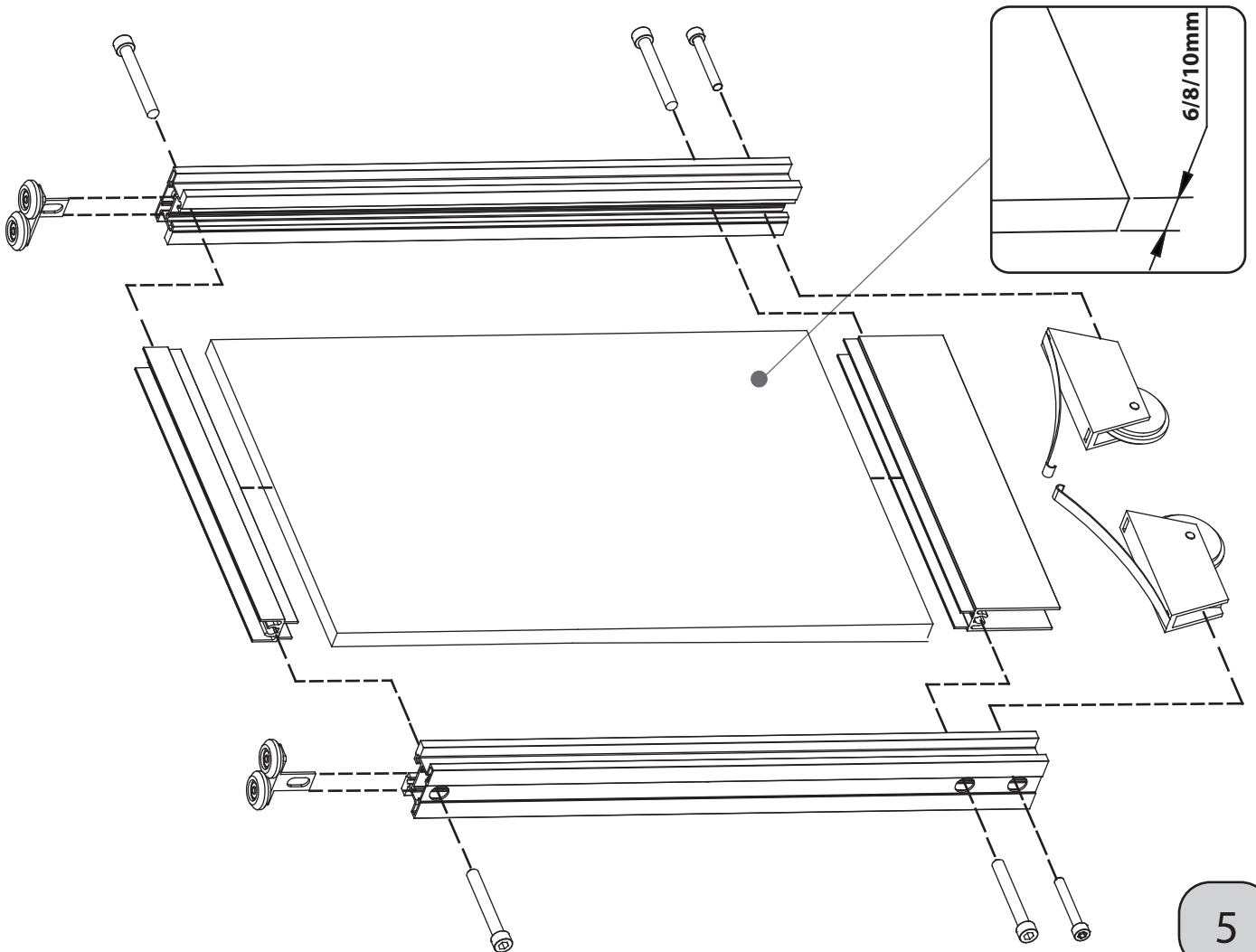
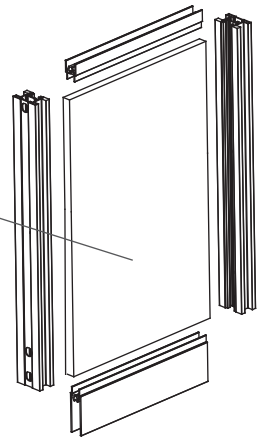
$IH = DH - 63mm$

**KDRE-3000x1500**

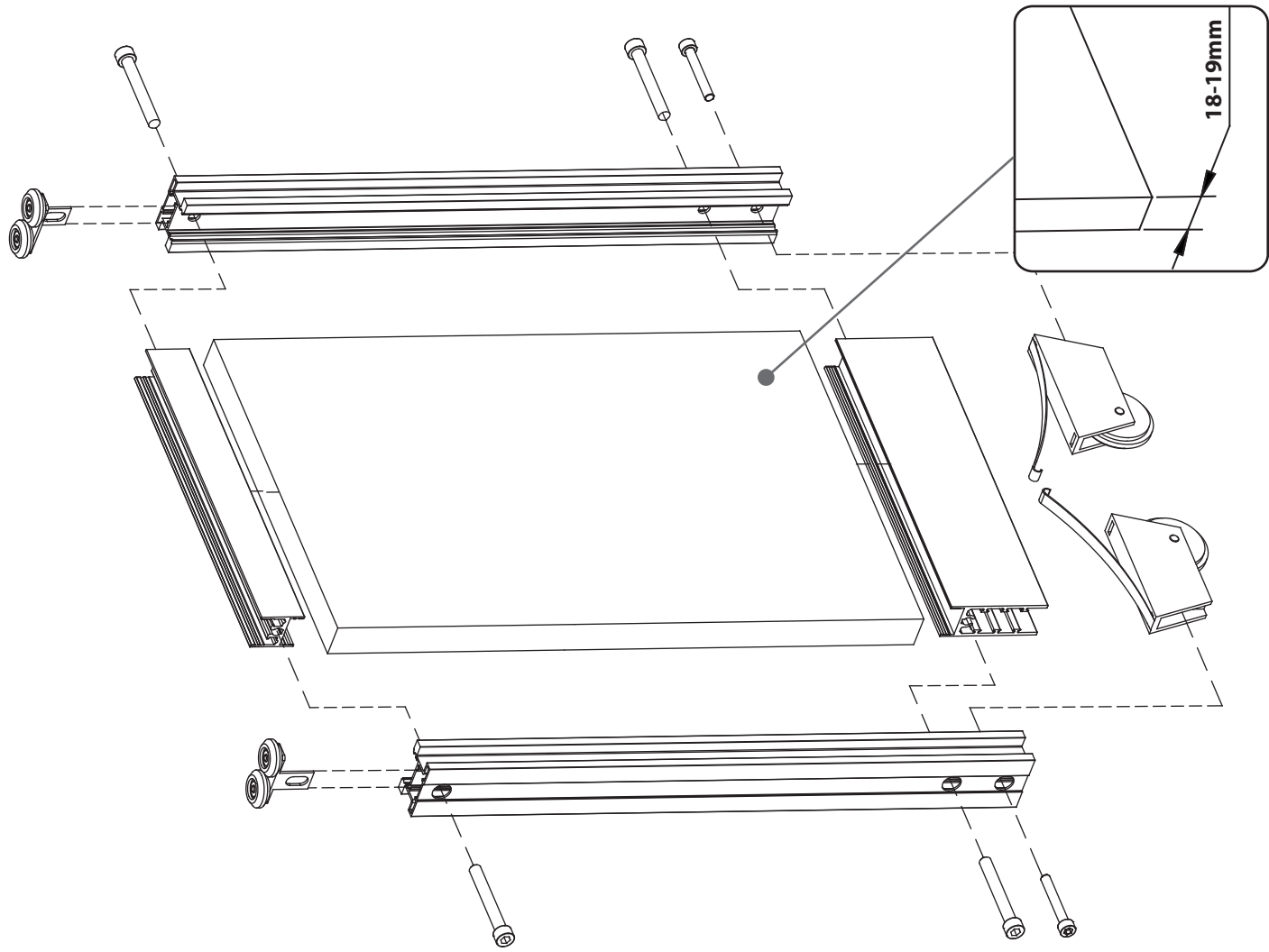
18/19mm

$IW = DW - 27mm$

$IH = DH - 66mm$



KDRE-3000x1500



KDRW

