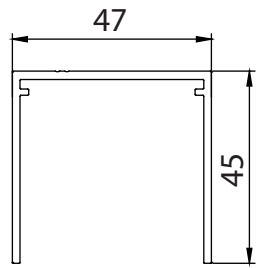


Instruction manual
Montageanleitung
Manuale di istruzioni

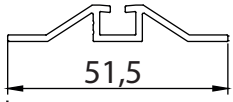


KDR01-3000
KDR02-3000

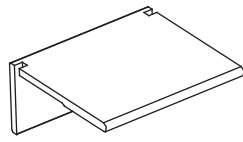
KDR01-3000



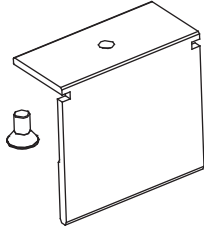
1x 3000 mm



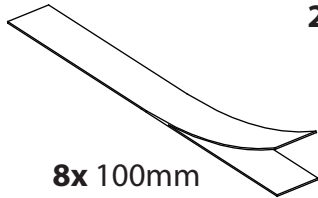
1x 3000 mm



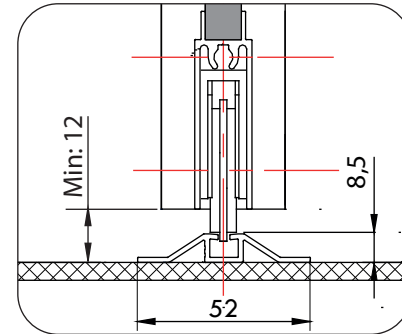
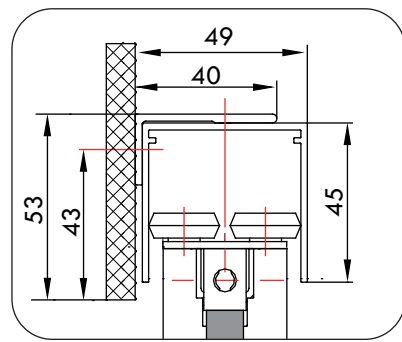
4x



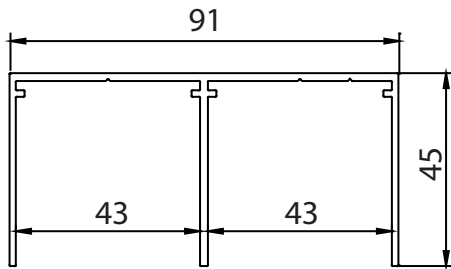
2x



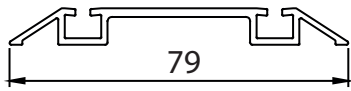
8x 100mm



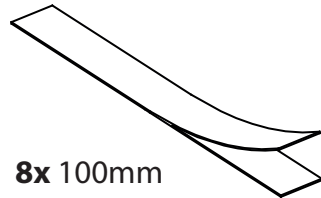
KDR02-3000



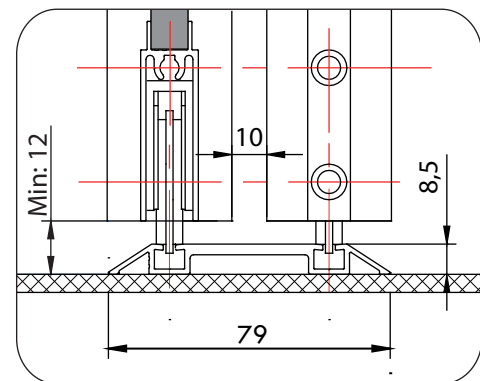
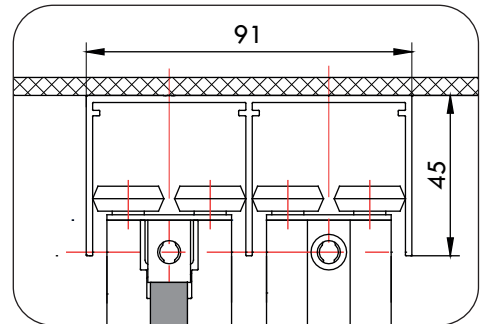
1x 3000 mm



1x 3000 mm

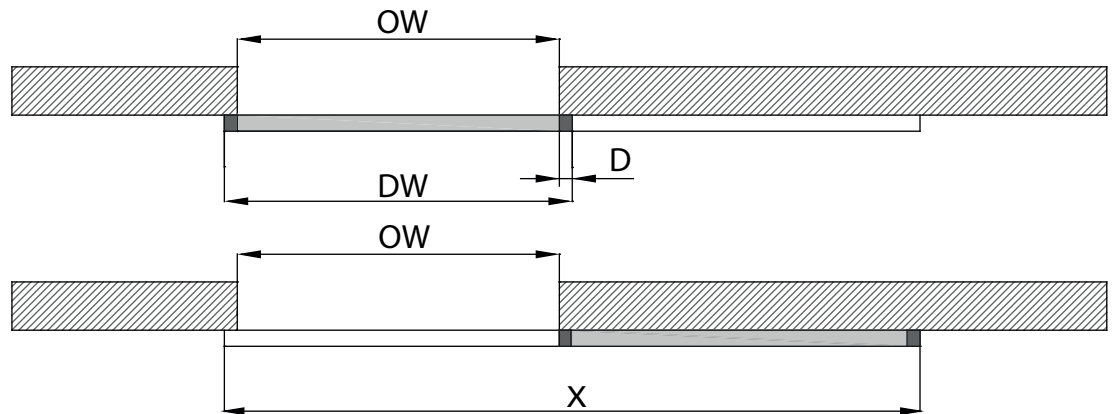


8x 100mm



$$X = DW \times 2$$

$$DW = OW + (2 \times D)$$



$$DW = (OW + D) / 2$$

$$A = OW - DW$$

