

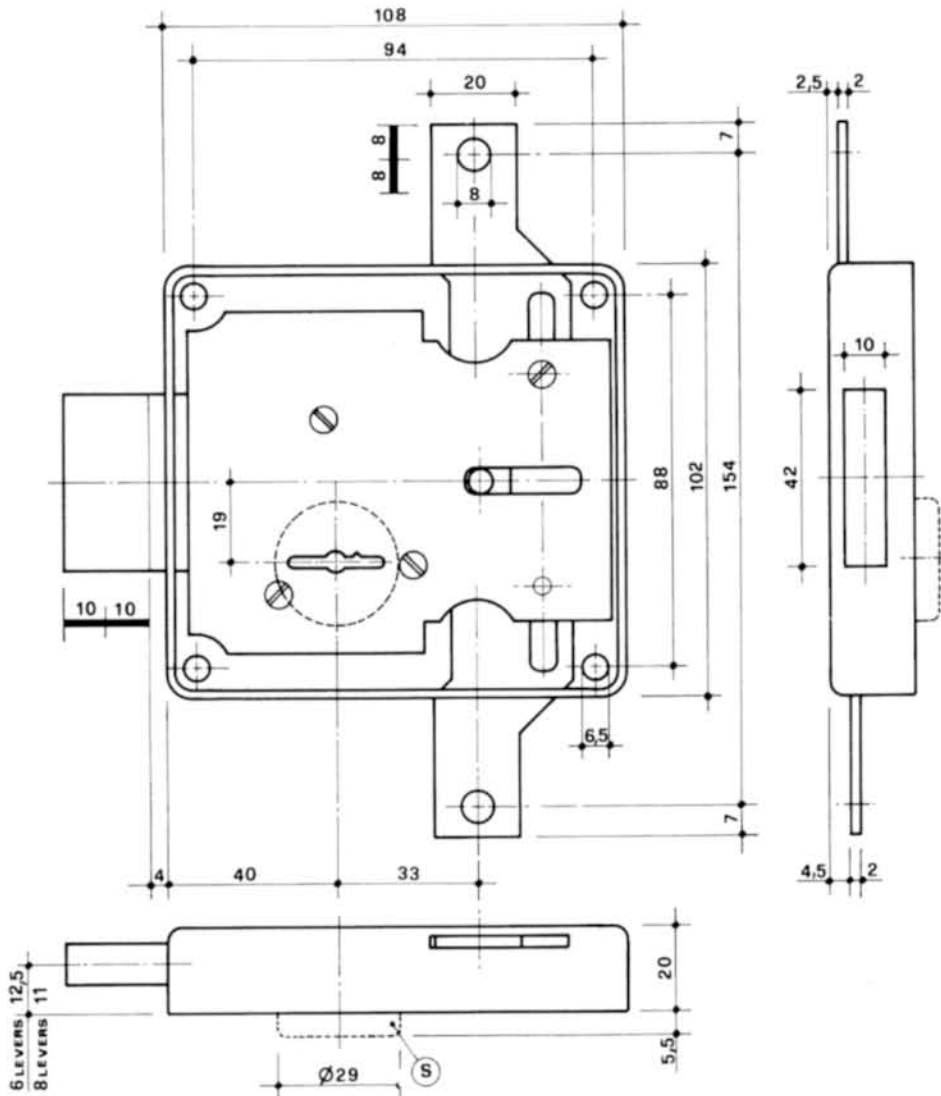
LOCK Nr.	3411/Y	3412/Y	3413/Y	3414/Y
6 LEVERS	•	•		
8 LEVERS			•	•
NO PLUG S (1)	•		•	
WITH PLUG S (1)		•		•

Y's VARIANTS	1	2	3	5	6	7
RIGHT HAND	•	•	•			
LEFT HAND				•	•	•
UNILATERAL-REMOVABLE KEY (2) (4)	•			•		
UNILATERAL-UNREMOVABLE KEY (2) (5)		•			•	
BILATERAL-REMOVABLE KEY (3) (4)			•			•

LEVERS LOCK

- 2 KEY TURNS
- 6-8 LEVERS

SEE DEVICE L2



LOCK SUPPLIED WITH

- 2 KEYS L = 34
- 2 KEYS L = 20 FOR THE 6 LEVERS UNILATERAL LOCKS

OPTIONALS

- FLAT KEYHOLE COVER
- GUIDING KEYHOLE COVER
- MOUNTING PLATE (TO BE SOLDERED)
- ANTIDRILLING SHIELD

NOTES

- (1) SEE "S" ON DRAWING
- (2) KEY ENTERS FROM ONE SIDE ONLY
- (3) KEY ENTERS FROM BOTH SIDES
- (4) KEY REMOVABLE WHEN LOCK IS OPEN
- (5) KEY UNREMOVABLE WHEN LOCK IS OPEN

BLANK KEYS VARIANTS:

- NO NAME (NO CHARGE)
- CUSTOMER'S NAME: NO CHARGE FOR MIN. 250 LOCKS (500 KEYS) COIN TO BE PAYED.

UNDETACHABLE COMPOSED KEYS WITH CHROME PLATED BRASS TUBE.