

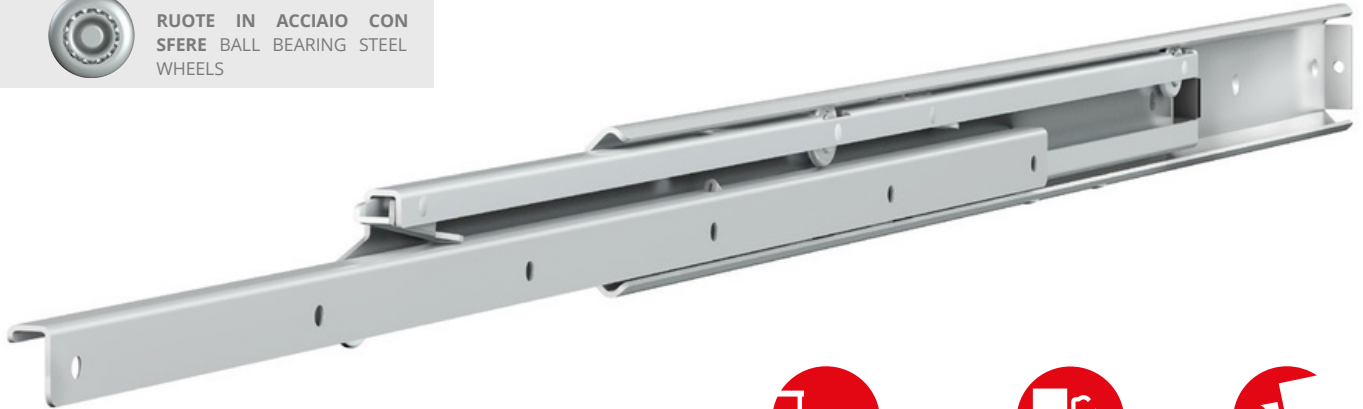
391

40 kg PORTATA CARRYING CAPACITY

GUIDE SU RUOTE AD ESTRAZIONE PROGRESSIVA
RUNNERS ON WHEELS WITH PROGRESSIVE EXTENSION



RUOTE IN ACCIAIO CON SFERE BALL BEARING STEEL WHEELS



ESTRAZIONE TOTALE
FULL EXTENSION

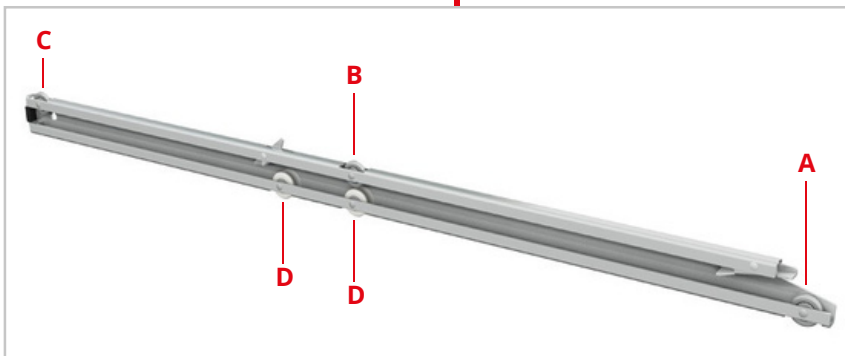
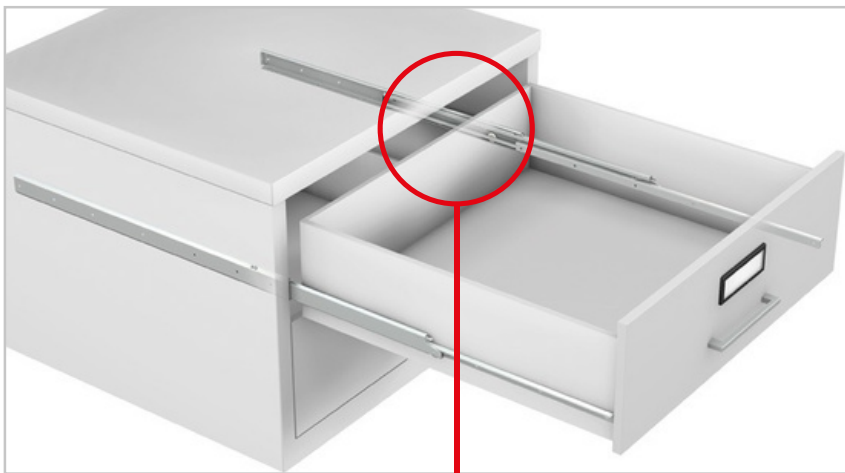


FISSAGGIO LATERALE
SIDE MOUNTING



SGANCIABILE
REMOVABLE

ESEMPIO DI APPLICAZIONE / EXAMPLE OF APPLICATION



Portata massima kg 40.
La portata massima si riferisce al carico massimo consentito per coppia di guide (mm 550).

Fissaggio laterale.
Scorrimento dei profili guida ad azione progressiva.

Fermo in uscita con levetta di sgancio per estrazione orizzontale del cassetto.
Carrying capacity kg 40.

The carrying capacity is referred to the maximum load for a pair of slides (mm 550).

Side mounting.
Runner sliding with progressive action.
Catch with release lever to pull the drawer out horizontally.

A / B / C

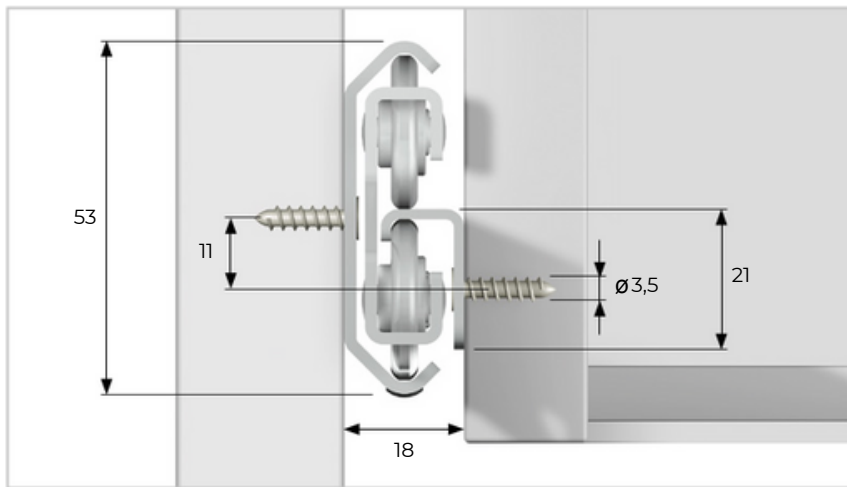
Ruote in acciaio con cuscinetto a sfere.
Ball bearing steel wheels.

D

Per lunghezze da 300 a 600 mm ruote oscillanti in **delrin**.
Per lunghezze da 650 a 800 mm ruote oscillanti in **acciaio**.

Lengths from 300 to 600 mm fluctuating **delrin** wheels.
Lengths from 650 to 800 mm fluctuating **steel** wheels.

391 SPECIFICHE TECNICHE / TECHNICAL SPECIFICATIONS

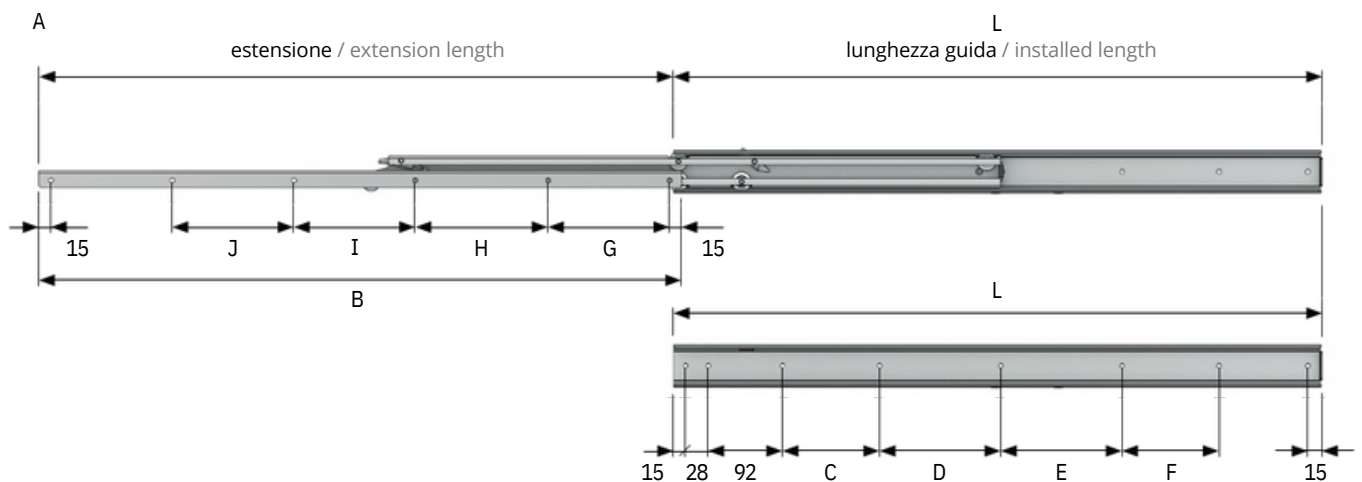



Profili in acciaio zincato.
Spessore profili 1,80 - 1,80 - 1,50 mm.
Finitura: acciaio zincato.

Profiles made of zinc plated steel.
Profiles thickness 1,80 - 1,80 - 1,50 mm.
Finishing: zinc plated steel.

ø3,5 mm

SCHEMA FORATURA / HOLE PATTERN



Codice XXXX * L A B C Code XXXX * mm mm mm mm	D mm	E mm	F mm	G mm	H mm	I mm	J mm	 Imballo Packing
0030 300 285 294 ---	---	---	---	125	---	---	---	
0035 350 335 344 90	---	---	---	150	---	---	---	
0040 400 385 394 140	---	---	---	125	114	---	---	
0045 450 435 444 70	120	---	---	125	139	---	---	
0050 500 485 494 120	120	---	---	150	164	---	---	
0055 550 535 544 120	150	---	---	125	139	125	---	
0060 600 585 594 120	100	120	---	125	139	150	---	
0065 650 635 644 120	150	120	---	150	164	150	---	
0070 700 685 694 120	150	170	---	125	114	125	150	
0075 750 735 744 120	150	100	120	150	139	125	150	
0080 800 785 794 120	150	150	120	150	164	150	150	

*Codice/Ordering Code: **00391/000/00/XXXX/00**