

351

40 kg PORTATA
CARRYING CAPACITY

GUIDA A SFERE AD ESTRAZIONE PARZIALE

BALL BEARING SINGLE EXTENSION RUNNER



ESTRAZIONE PARZIALE
SINGLE EXTENSION

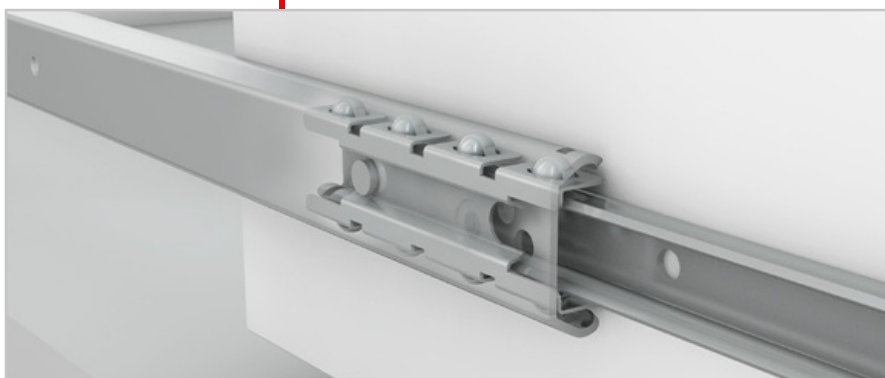
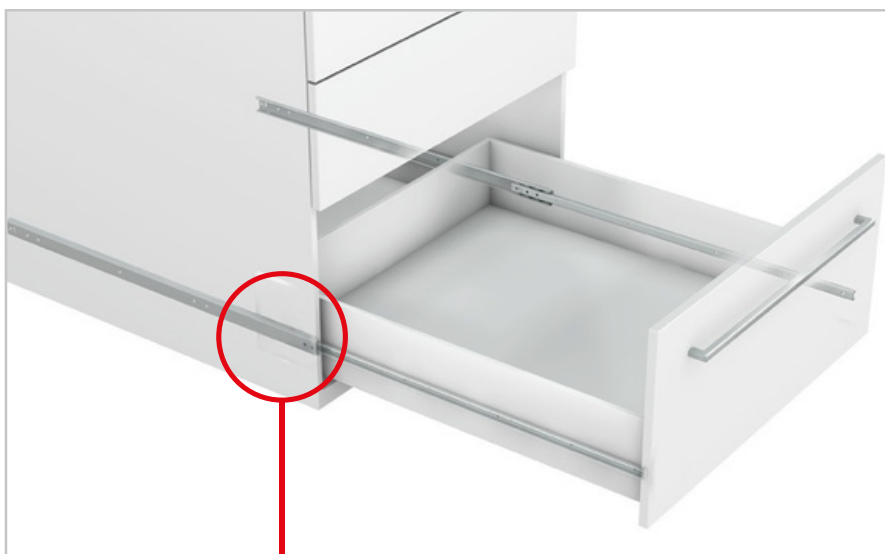


FISSAGGIO LATERALE
SIDE MOUNTING



FISSAGGIO
ORIZZONTALE
HORIZONTAL
MOUNTING

ESEMPIO DI APPLICAZIONE / EXAMPLE OF APPLICATION



Portata massima kg 40.

La portata massima si riferisce al carico massimo consentito per coppia di guide (mm 550) con montaggio laterale.

Il montaggio orizzontale delle guide **riduce la portata al 50%** del carico massimo con montaggio laterale.

Gabbia in metallo con sfere $\varnothing 5/16''$.
Fissaggio laterale.

Carrying capacity kg 40.

The carrying capacity is referred to the maximum load for a pair of side mounted slides (mm 550).

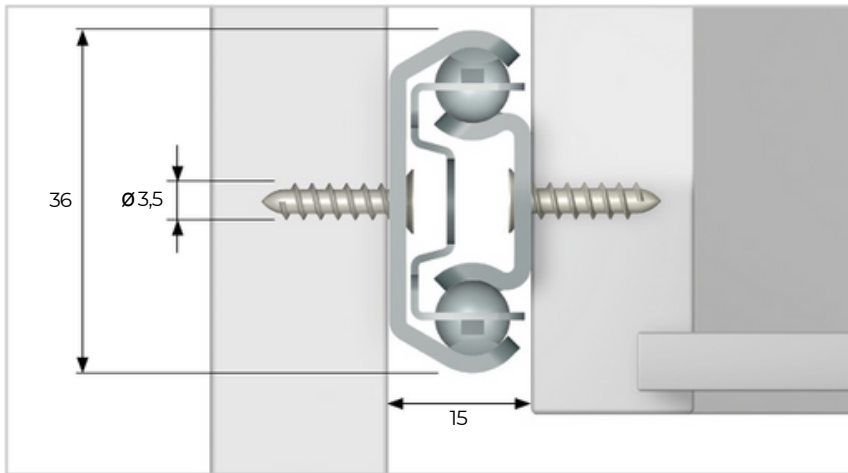
The horizontal mounting (flat)

reduces the carrying capacity to approximately 50% of the side mounted capacity.

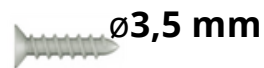
Metal cage with balls $\varnothing 5/16''$.

Side mounting.

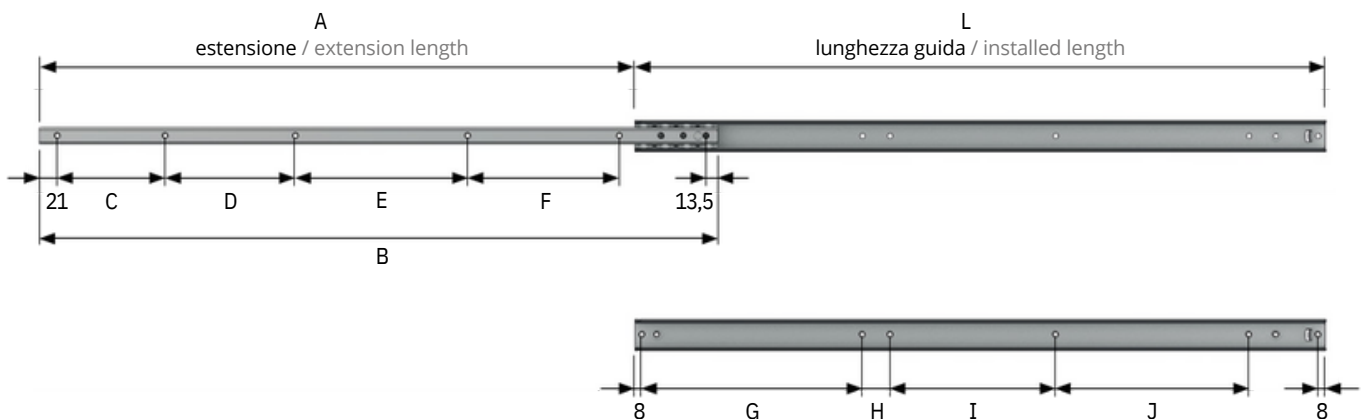
351 SPECIFICHE TECNICHE / TECHNICAL SPECIFICATIONS



Foratura a passo 32 mm.
 Profili in acciaio zincato.
 Spessore profili 1,75 mm.
 32 mm drilling pattern.
 Profiles made of zinc plated steel.
 Profiles thickness 1,75 mm.



SCHEMA FORATURA / HOLE PATTERN



Codice XXXX* L A B C	D	E	F	G	H	I	J	Imballo Packing
Code XXXX* mm mm mm mm	mm	mm	mm	mm	mm	mm	mm	
0030 300 190 285 150	---	---	---	192	---	---	---	25
0035 350 240 335 100	100	---	---	192	---	---	---	25
0040 400 290 385 125	125	---	---	192	96	---	---	25
0045 450 340 435 150	150	---	---	192	128	---	---	25
0050 500 390 485 175	175	---	---	192	32	128	---	25
0055 550 440 535 200	200	---	---	192	32	224	---	25
0060 600 490 585 125	175	150	---	256	32	192	---	15
0065 650 540 635 125	200	175	---	256	32	192	---	15
0070 700 590 685 175	200	175	---	256	32	160	160	15
0075 750 640 735 225	200	175	---	256	32	192	160	15
0080 800 690 785 125	150	200	175	256	32	192	224	15

*Codice/Ordering Code: **00351/000/00/XXXX/00**