

353

15 kg PORTATA
CARRYING CAPACITY

GUIDA A SFERE AD ESTRAZIONE PARZIALE BALL BEARING SINGLE EXTENSION RUNNER



ESTRAZIONE PARZIALE
SINGLE EXTENSION



FISSAGGIO AL FONDO
BASE MOUNTING



A RICHIESTA
ON DEMAND
EXTRA ESTENSIONE
ADDITIONAL EXTENSION

ESEMPIO DI APPLICAZIONE / EXAMPLE OF APPLICATION



Portata massima kg 15.

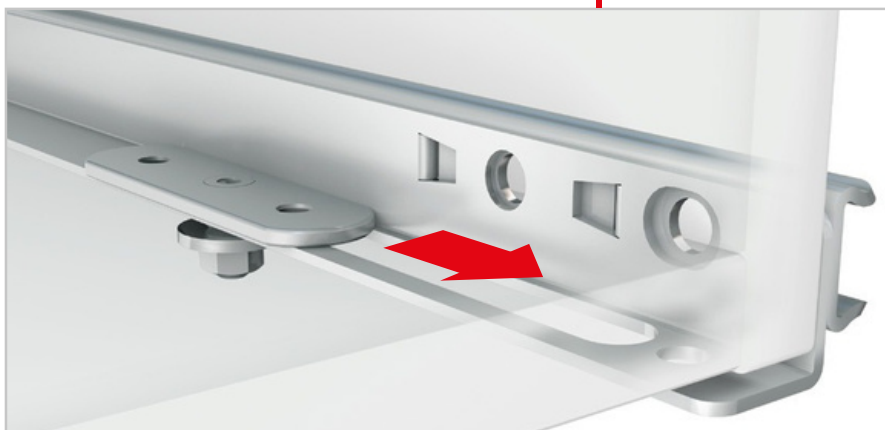
La portata massima si riferisce al carico massimo consentito per coppia di guide (mm 400).

Gabbia in metallo con sfere \varnothing 3/16". Fissaggio al fondo.

Carrying capacity kg 15.

The carrying capacity is referred to the maximum load for a pair of slides (mm 400).

Metal cage with balls \varnothing 3/16".
Base mounting.



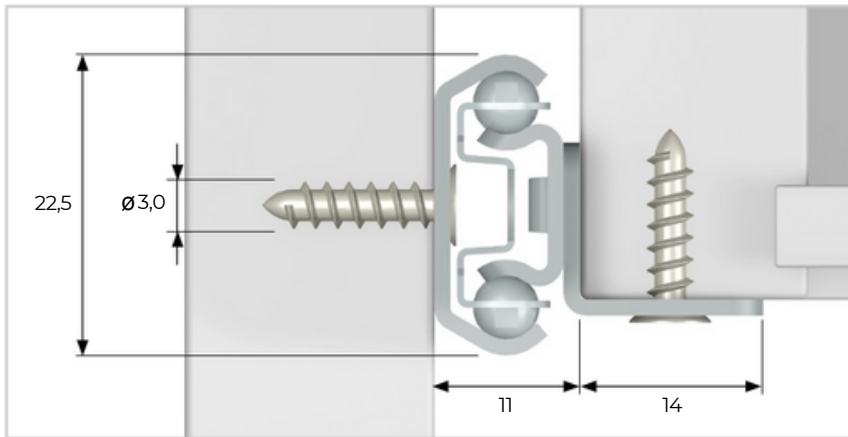
ART. 362

Piastrina art.362 per extra estensione a richiesta.

Plate art.362 for additional extension available on request.



353 SPECIFICHE TECNICHE / TECHNICAL SPECIFICATIONS

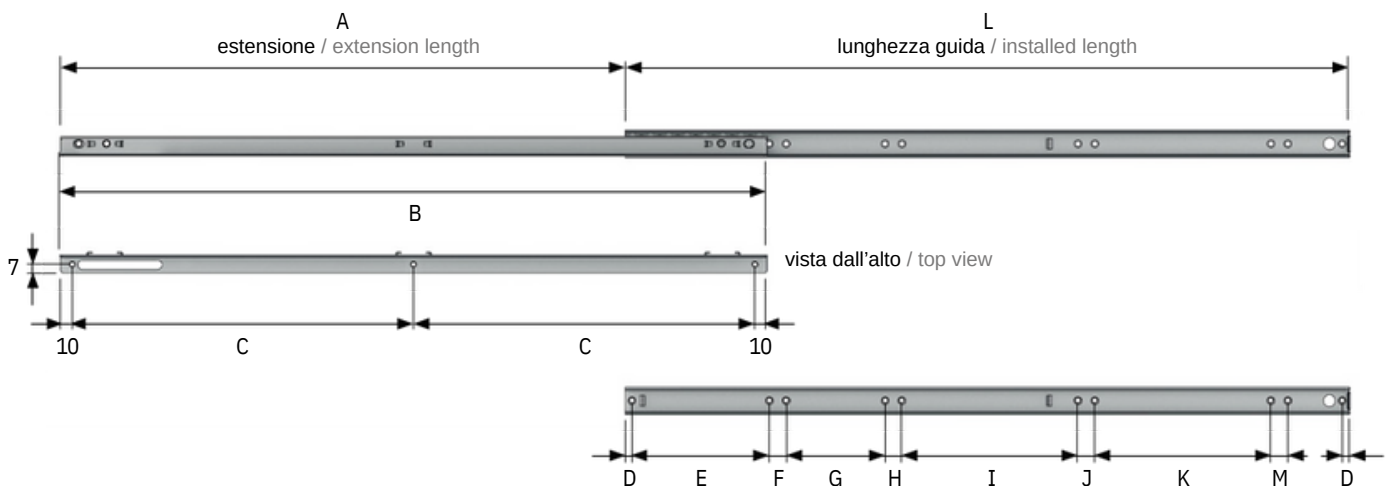


Foratura a passo 32 mm.
 Profili in acciaio zincato.
 Spessore profili 1,20 mm.
 Spessore squadra 1,10 mm.

32 mm drilling pattern.
 Profiles made of zinc plated steel.
 Profiles thickness 1,20 mm.
 Bracket thickness 1,10 mm.



SCHEMA FORATURA / HOLE PATTERN



Cod. XXXX* L A B C D	E	F	G	H	I	J	K	M	Imballo Packing
Code XXXX* mm mm mm mm mm	mm	mm	mm	mm	mm	mm	mm	mm	
0020 200 128 185 82,5 5,5	114	14	---	---	---	---	---	---	50
0025 250 178 235 --- 5,5	178	14	---	---	---	---	---	---	50
0030 300 228 285 --- 5,5	114	14	114	14	---	---	---	---	50
0035 350 278 335 --- 5,5	114	14	146	14	---	---	---	---	50
0040 400 328 385 182,5 5,5	114	14	210	14	---	---	---	---	50
0045 450 378 435 207,5 5,5	114	14	242	14	---	---	---	---	50
0050 500 368 485 232,5 5,5	114	14	82	14	210	14	---	---	50
0055 550 418 535 257,5 5,5	114	14	82	14	146	14	82	14	50
0060 600 468 585 282,5 5,5	114	14	82	14	146	14	146	14	50

*Codice/Ordering Code: 00353/000/00/XXXX/00