

352

15kg PORTATA  
CARRYING CAPACITY

**GUIDA A SFERE AD ESTRAZIONE PARZIALE**  
BALL BEARING SINGLE EXTENSION RUNNER



ESTRAZIONE PARZIALE  
SINGLE EXTENSION



FISSAGGIO LATERALE  
SIDE MOUNTING



FISSAGGIO ORIZZONTALE  
HORIZONTAL MOUNTING

**ESEMPIO DI APPLICAZIONE / EXAMPLE OF APPLICATION**



Portata massima kg 15.

La portata massima si riferisce al carico massimo consentito per coppia di guide (mm 400) con montaggio laterale.

Il montaggio orizzontale delle guide **riduce la portata al 50%** del carico massimo con montaggio laterale.

Gabbia in metallo con sfere  $\varnothing 3/16"$ .  
Fissaggio laterale.

Carrying capacity kg 15.

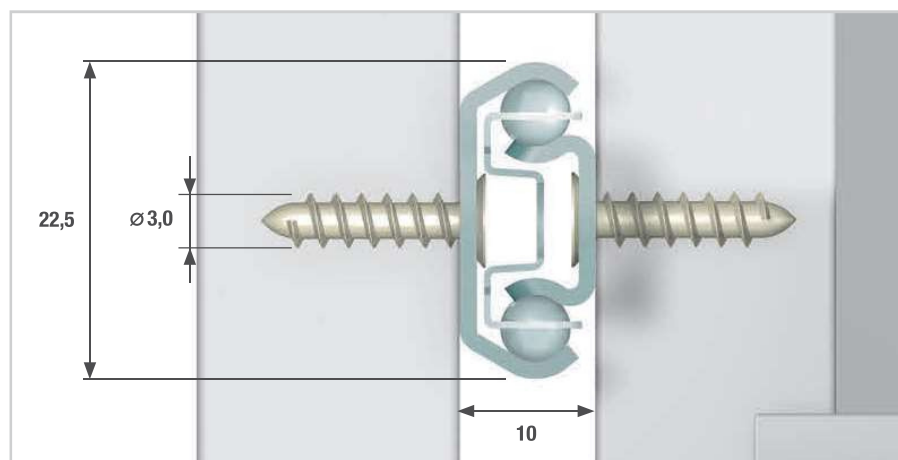
The carrying capacity is referred to the maximum load for a pair of side mounted slides (mm 400).

The horizontal mounting (flat) **reduces the carrying capacity to approximately 50%** of the side mounted capacity.

Metal cage with balls  $\varnothing 3/16"$ .  
Side mounting.



# 352

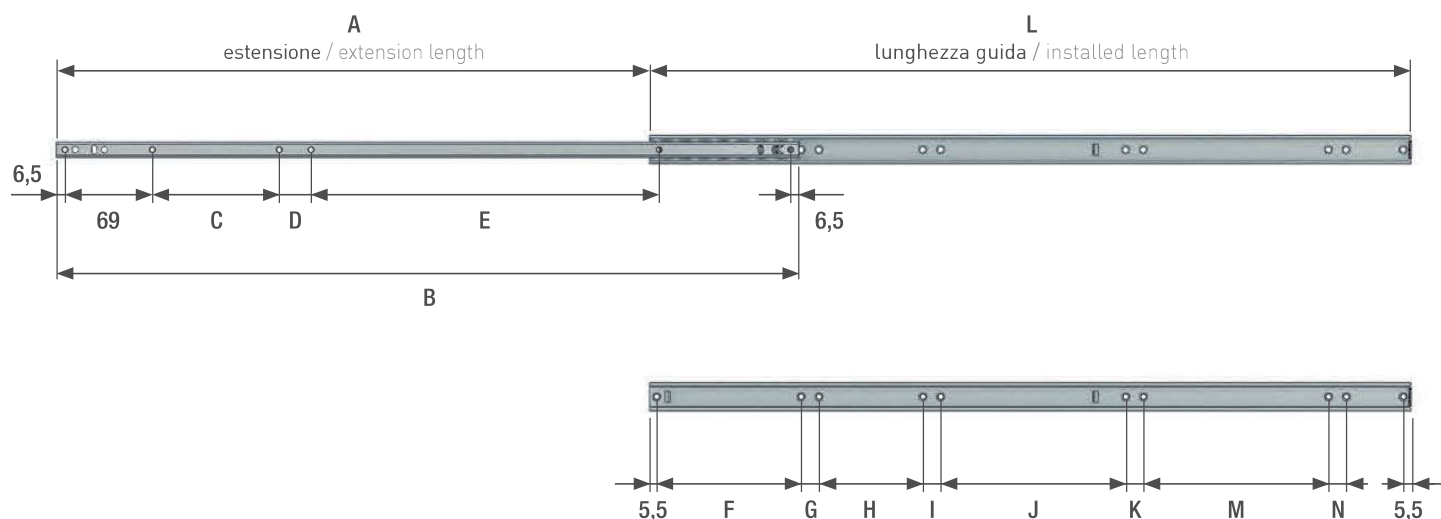
 SPECIFICHE TECNICHE / TECHNICAL SPECIFICATIONS



Foratura a passo 32 mm.  
 Profili in acciaio zincato.  
 Spessore profili 1,20 mm.

32 mm drilling pattern.  
 Profiles made of zinc plated steel.  
 Profiles thickness 1,20 mm.



## SCHEMA FORATURA / HOLE PATTERN



Cod. <b>XXXX*</b> Code <b>XXXX*</b>	L mm	A mm	B mm	C mm	D mm	E mm	F mm	G mm	H mm	I mm	J mm	K mm	M mm	N mm	 Imballo Packing
<b>0020</b>	200	128	185	—	—	—	114	14	—	—	—	—	—	—	<b>50</b>
<b>0025</b>	250	178	235	—	—	—	178	14	—	—	—	—	—	—	<b>50</b>
<b>0030</b>	300	228	285	99,5	—	—	114	14	114	14	—	—	—	—	<b>50</b>
<b>0035</b>	350	278	335	149,5	—	—	114	14	146	14	—	—	—	—	<b>50</b>
<b>0040</b>	400	328	385	150	—	—	114	14	210	14	—	—	—	—	<b>50</b>
<b>0045</b>	450	378	435	174	—	—	114	14	242	14	—	—	—	—	<b>50</b>
<b>0050</b>	500	368	485	100	25	149,5	114	14	82	14	210	14	—	—	<b>50</b>
<b>0055</b>	550	418	535	100	50	149,5	114	14	82	14	146	14	82	14	<b>50</b>
<b>0060</b>	600	468	585	100	25	274,5	114	14	82	14	146	14	146	14	<b>50</b>

\*Codice / Ordering Code: **00352/000/00/XXXX/00**