

**Art. 55**

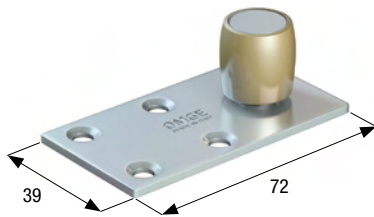
Ferma porte per profilo superiore.  
Door stop for the upper profile.



**Art. 74**

Profilo inferiore in acciaio zincato.  
Galvanized steel guide track.

Misure standard | Standard lengths m 5 - m 6

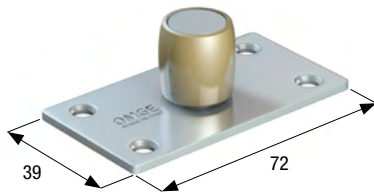


**Art. 62**

Guida in acciaio con bussola rotante in ottone  $\varnothing$  mm 20.  
Steel guide with rotating brass pin  $\varnothing$  mm 20.

**Art. 584**

Guida in acciaio con bussola rotante in nylon  $\varnothing$  mm 20.  
Steel guide with rotating nylon pin  $\varnothing$  mm 20.

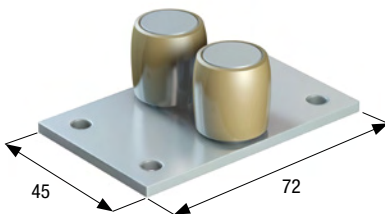


**Art. 63**

Guida in acciaio con bussola rotante in ottone  $\varnothing$  mm 20.  
Steel guide with rotating brass pin  $\varnothing$  mm 20.

**Art. 585**

Guida in acciaio con bussola rotante in nylon  $\varnothing$  mm 20.  
Steel guide with rotating nylon pin  $\varnothing$  mm 20.

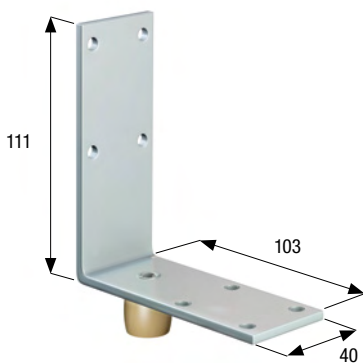


**Art. 76**

Guida in acciaio con doppia bussola rotante in ottone  $\varnothing$  mm 20.  
Steel guide with double rotating brass pin  $\varnothing$  mm 20.

**Art. 588**

Guida in acciaio con doppia bussola rotante in nylon  $\varnothing$  mm 20.  
Steel guide with double rotating nylon pin  $\varnothing$  mm 20.



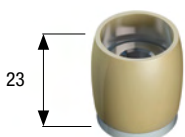
**Art. 65**

Guida laterale in acciaio con bussola rotante in ottone  $\varnothing$  mm 20.  
Spessore porta minimo 40 mm.

Steel side guide with rotating brass pin  $\varnothing$  mm 20.  
Minimum door thickness 40 mm.

**Art. 591**

Guida in acciaio con bussola rotante in nylon  $\varnothing$  mm 20.  
Steel guide with rotating nylon pin  $\varnothing$  mm 20.



**Art. 1297**

Bussola rotante in ottone  $\varnothing$  mm 20.  
Rotating brass pin  $\varnothing$  mm 20.