

ITALIA MARTELLINA

BREVETTATO
PATENTED



Martellina | Handle
Bequille a poignee | Maneta



Manico, cassa, copricassa e rotore in alluminio pressofuso; boccole antifrizzionamento in delrin.



Die-cast aluminium handle, body, case and rotor; Delrin low-friction bushing.



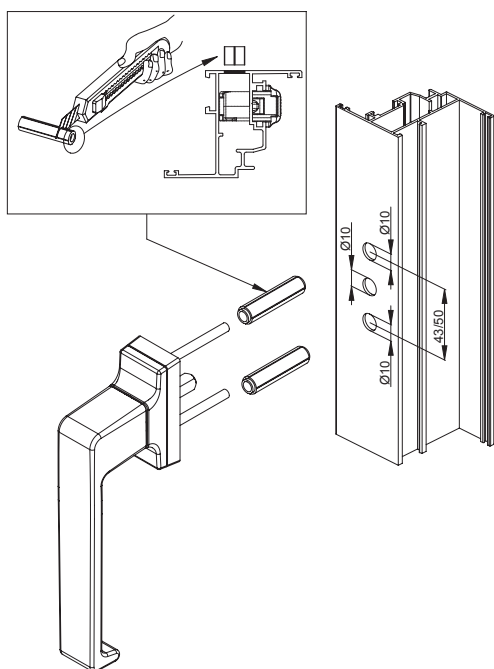
Béquille, caisse, couvre-caisse et rotor en aluminium moulées sous pression; bagues anti-friction en delrin.



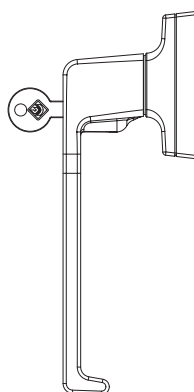
Mango, caja, cobertura de caja y rotor de aluminio de fundición; casquillos antifricción de delrin.



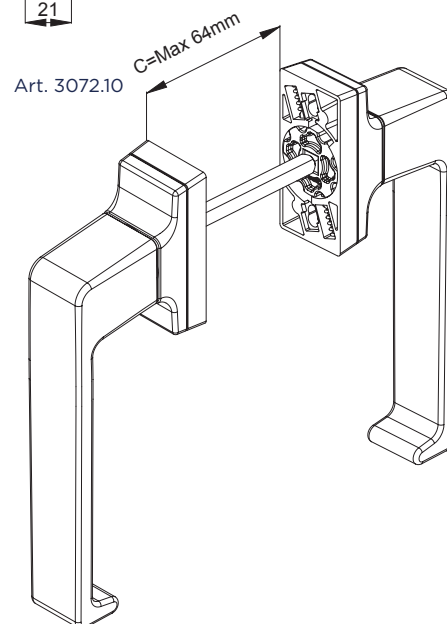
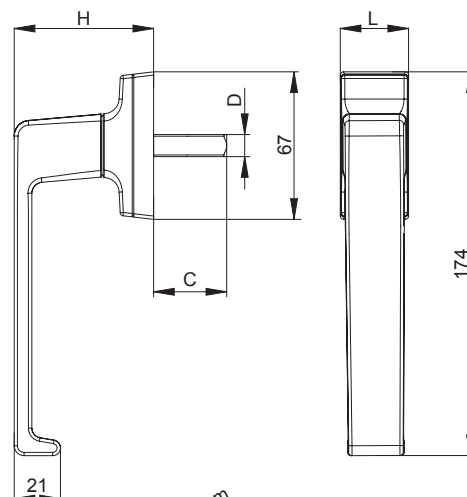
ART.	3072 3072.1						3072.10						3077.25D 3077.25S						3077.2 3077.3					
Imballo Package Conditionnement Embalaje	5 Pz						2 CP						5 Pz						5 Pz					
Finiture disponibili Available finishes Finitions disponibles Acabados disponibles	1	2	3	4	5	6	1	2	3	4	5	6	1	2	3	4	5	6	1	2	3	4	5	6



Art. 3077.2



Art. 3072 | .1 | .5



	DESCRIZIONE DESCRIPTION	ART.	L	H	C	D
	"ITALIA" Martellina "ITALIA" Handle	3072	31	63.5	24mm	7
	"ITALIA" Martellina "ITALIA" Handle	3072.1	31	63.5	44mm	7
	"ITALIA" Doppia martellina "ITALIA" Double handle	3072.10	31	63.5	Max 64	7
	Martellina "ITALIA" con cilindro "ITALIA" handle with key	3077.2	31	63.5	26mm	7
	Martellina "ITALIA" con cilindro "ITALIA" handle with key	3077.3	31	63.5	46mm	7
	Martellina "ITALIA" logica DX - SX "ITALIA" handle for tilt before turn	3077.25D 3077.25S	31	63.5	26mm	7