



# WEEN KIT BASE

A/R PER CE 160 KG



Anta ribalta Ween 160 kg CE | Ween tilt and turn CE 160 KG |  
Oscillo-battant Ween 160 KG | Oscilobatiente Ween 160 KG



Cerniere in alluminio estruso e zama, rinvio d'angolo, terminali e riscontri in zama, piastrine e viti in acciaio inox. Portata massima: 160 Kg



Hinges in extruded aluminum and zamak, corner return, terminals and handles in zamak, plates and screw in stainless steel. Maximum load: 160 Kg



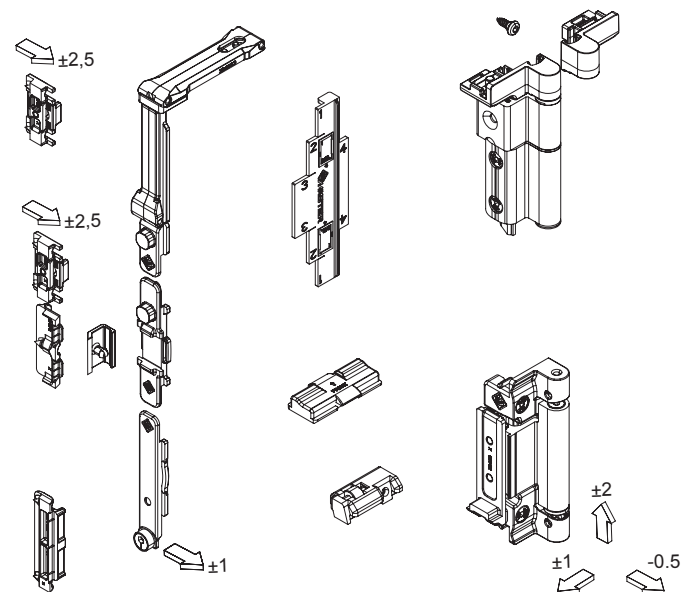
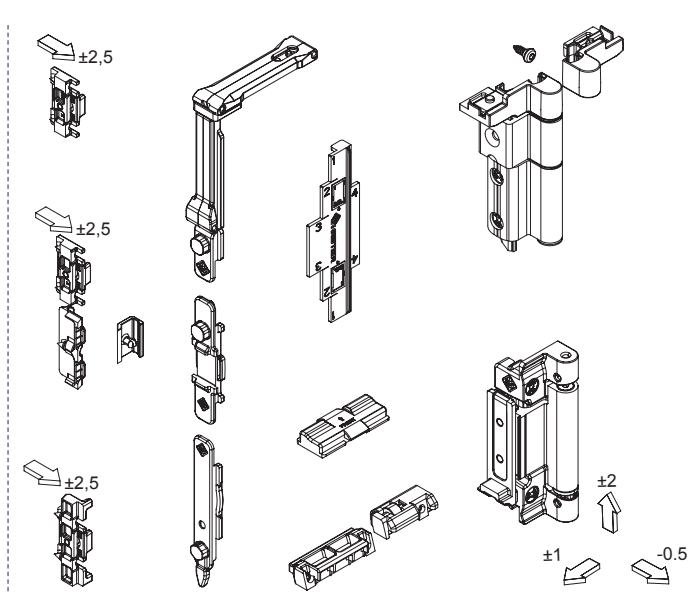
Paumelles en aluminium extrudé et zamak, renvoi d'angle, embout de tringle et gâches en zamak, plaques en acier inox. Portée: 160 Kg



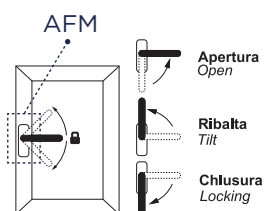
Bisagras de aluminio extruido y zamak, reenvio de ángulo bloqueo y cerradero de zamak, plaquetas inox. Soporta hasta: 160 kg



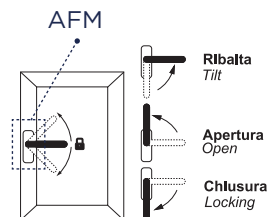
ART.	3420F.1				3420LF.1			
Imballo   Package   Conditionnement   Embalaje	5 Kit				5 Kit			
Finiture disponibili   Available finishes Finitions disponibles   Acabados disponibles	1	2	3	4	1	2	3	4



Art. 3420F.1  
Kit base standard con **antifalsamanovra sulla cremonese**  
Standard kit with **anti-false manoeuvre on cremone bolt (AFM)**



Art. 3420LF.1  
Kit base manovra logica con **antifalsamanovra sulla cremonese**  
Logic version with **anti-false manoeuvre on cremone bolt (AFM)**



ABBINABILI A MOVIMENTAZIONI: 3627 | 3627.2 | 3627F.1 | 3627F.3 | 3630.20 | 3630F.20

ART.	NODO   SECTION
3420F.1   3420LF.1	A01 - A02 - A04 - A05 - A06