



# WEEN

## BRACCIO SUPPLEMENTARE PER ANTA RIBALTA



Braccio supplementare per anta ribalta | Tilt and turn additional arm  
Bras supplémentaire oscillo-battant | Compás suplementario oscilobatiante



Leve, viti e grani in acciaio inox, corpo in zama.



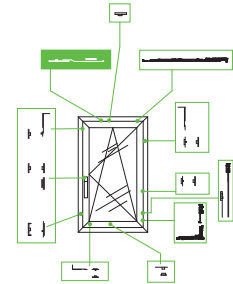
Levers, screw and setscrews in stainless steel, zamak body.



Leviers, vis et grains en acier inox, corps en zamak.

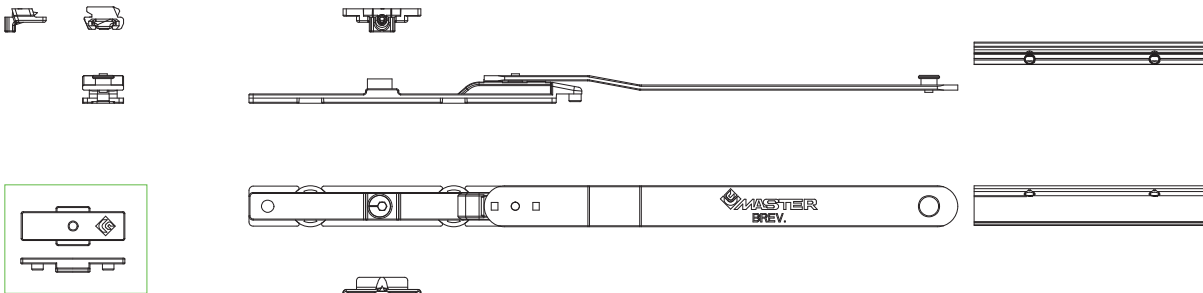


Levas, tornillos y prisioneros de acero inox, cuerpo de zamac.



ART.	3520.30   3400G.30 3550L.30   3400LG.30			
Imballo   Package   Conditionnement   Embalaje	5 Pz			
Finiture disponibili   Available finishes Finitions disponibles   Acabados disponibles	1	2	3	4

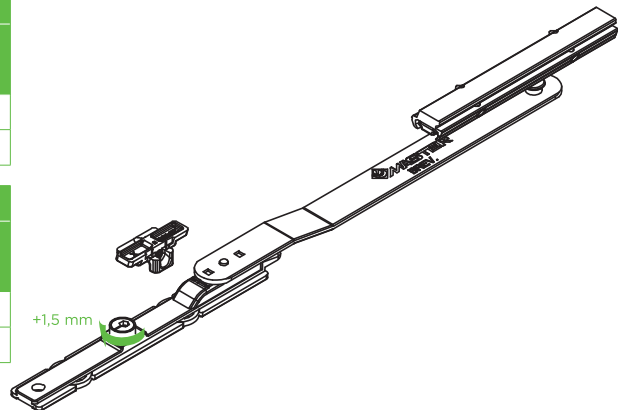
### LARGHEZZA L > 1200 WIDTH L > 1200



In aggiunta nella versione LOGICA  
Additional in LOGIC version

ANTA RIBALTA   TILT AND TURN			
	DESCRIZIONE DESCRIPTION	ART.	NODO SECTION
WEEN	L anta da 1200mm a 1700mm L sash from 1200mm to 1700mm	3520.30	A01 - A05 - A20 - A21 - A22
		3400G.30	A03

LOGICA   TILT BEFORETURN			
	DESCRIZIONE DESCRIPTION	ART.	NODO SECTION
WEEN	L anta da 1200mm a 1700mm L sash from 1200mm to 1700mm	3550L.30	A01 - A05 - A20 - A21 - A22
		3400LG.30	A03



### REGOLAZIONI | ADJUSTEMENT

<p>3520.30</p> <p>FORATURA ASTINE MACHINING OF THE RODS (HOLES)</p>	<p>ANTA SASH</p> <p>Art. 3520.22 - A/R 2.0 Art. 3400.22 - A/R WEEN</p> <p>L-638 A/R - 3550A/3520 L-692 A/R - WEEN - 3420X</p>	<p>TELAIO FRAME</p> <p>120 255</p>
---	---	--