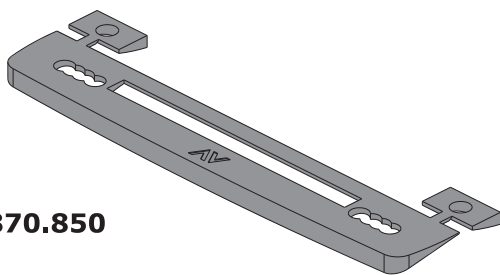
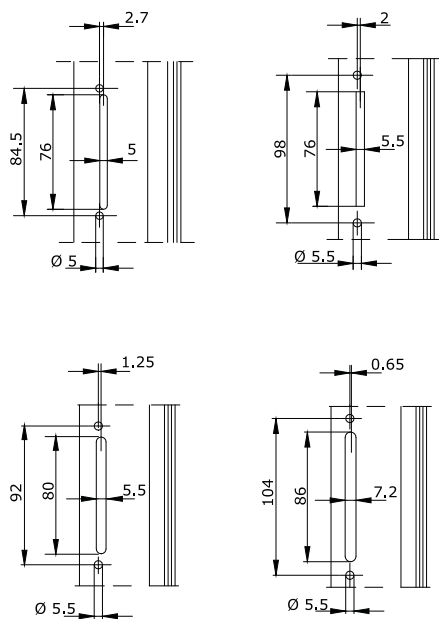
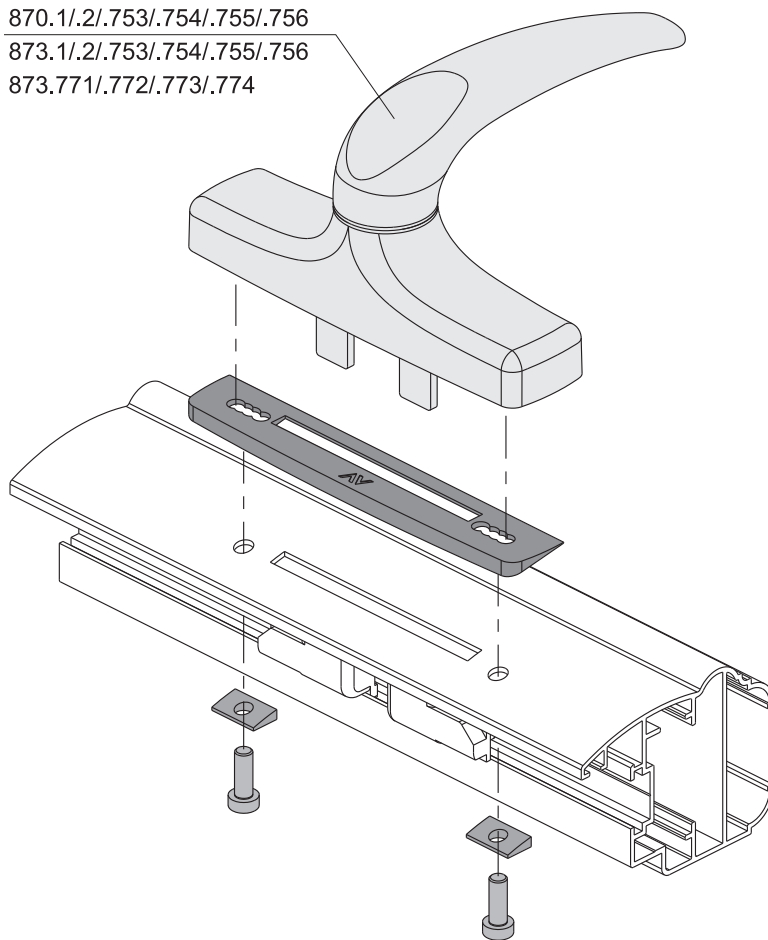


870.850



870.1/.2/.753/.754/.755/.756
 873.1/.2/.753/.754/.755/.756
 873.771/.772/.773/.774



Adatto per profili Nuovo NC 40 arrotondato e simili.
 Suitable for Nuovo NC 40 rounded shape and similar.

