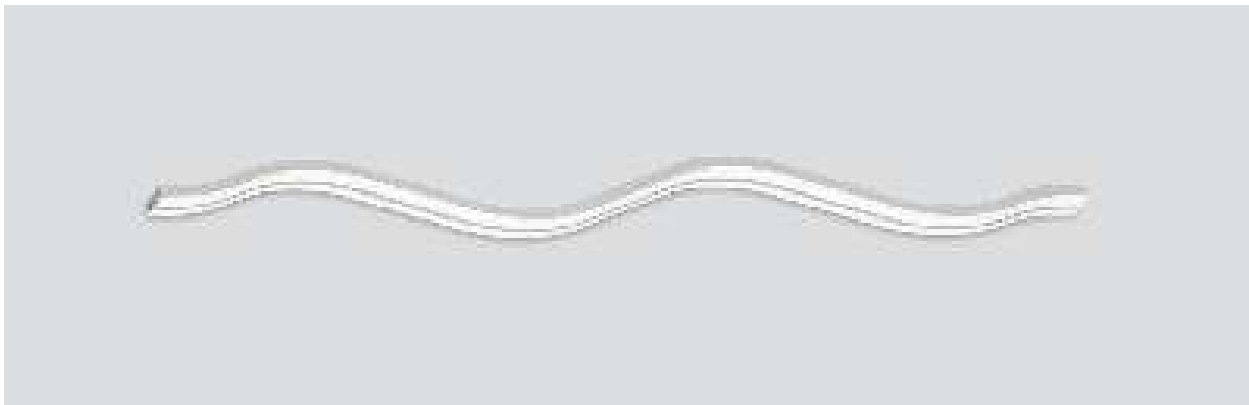




Moove 4 FREE CUT

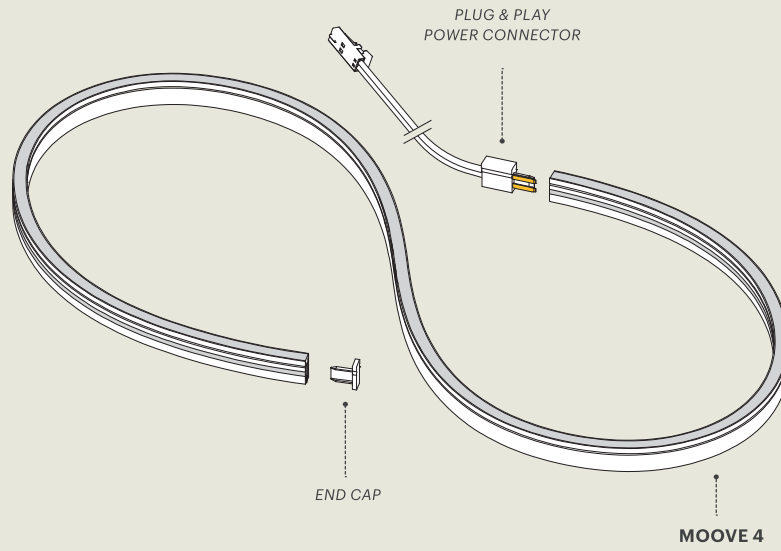
FLEXIBLE LED REEL

- Only 4mm wide
- Maximum flexibility in creating a variety of shapes
- Ideal for vertical installation inside the cabinet's sides
- Recessed installation

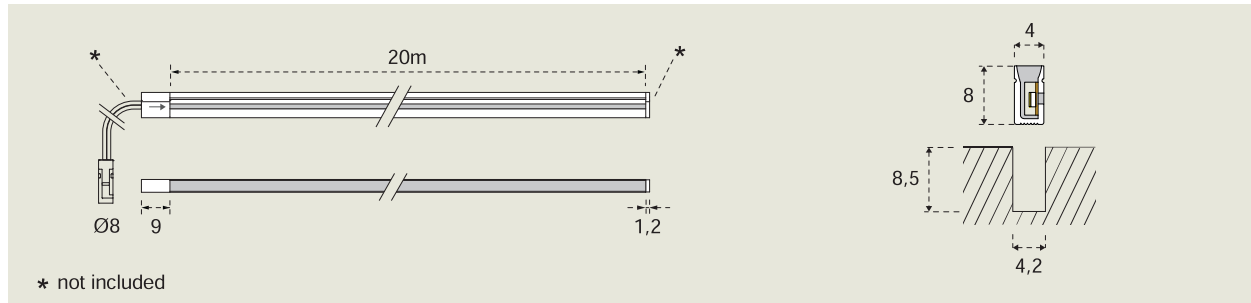
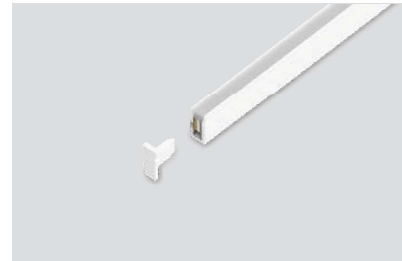
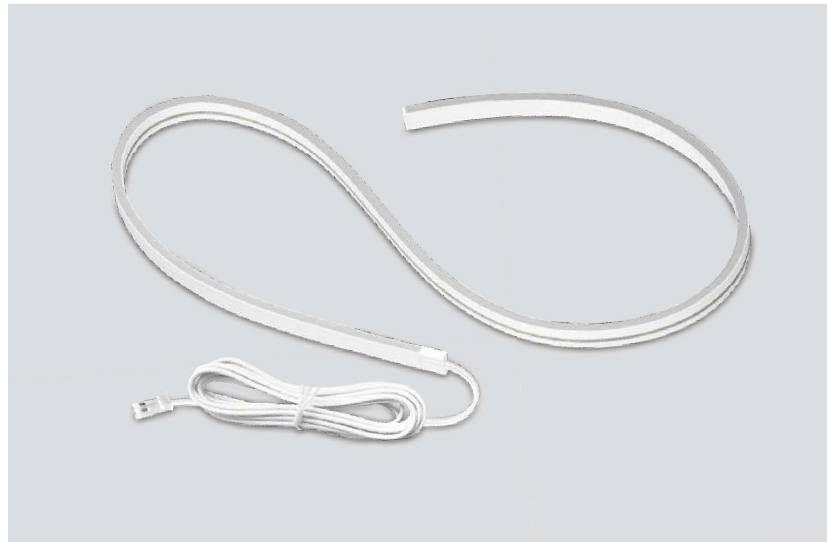


MOOVE 4

Components and accessories



Moove 4 FREE CUT



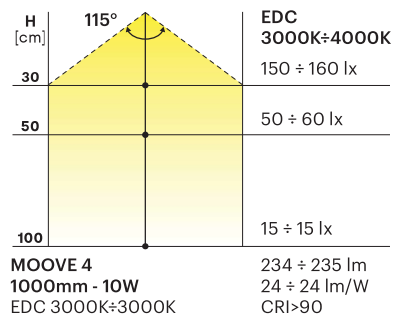
CUTTABLE TO SIZE PLUG & PLAY FLEXIBLE LED REEL

Recessed mounting

Maximum flexibility in creating a variety of shapes, only 4mm wide, can be cut to size freely at any point without loss of functionality: each cut section can be used to create a lamp using the power supply KIT (not included).

MOOVE 4 - 24V DC		EDC DUAL COLOR - 10W/m	
01 751101311	20m	200W	3000K÷4000K

POWER CABLE KIT NOT INCLUDED
To be purchased separately (side page) to complete Moove 4 LED Reel



LIGHT SOURCE

LED EDC DUAL COLOR

Color temperature varies from 3000K to 4000K via remote control systems or by means of Emotion Jumper cable (included in the Power Cable KIT sold separately)



3000K÷4000K

POWER SUPPLY AND CONTROL

L&S DRIVER & CONTROL SYSTEM

MEC LITE and MEC Driver modular connection systems, for power supply and remote control of LED lamps



POWER CABLE KIT



KIT includes:

600300198

- (A) 1000mm cabled PLUG & PLAY power connector and plastic end cap
- (B) 2000mm extension for Driver connection
- (C) 50mm Emotion Jumper cable (to be applied at power cable's end for color temperature change)

N°2 KITS are required to cut the LED Reel into two custom lamps

