

# TOP SPIN

## CERNIERA A PETTINE IN ALLUMINIO ESTRUSO



Cerniera a pettine in alluminio estruso | Comb hinge in extruded aluminium | Paumelle a peigne en aluminium extrudé | Bisagras de tres alas de aluminio extruido



Cerniera lato telaio e lato anta in alluminio estruso, piastrine in zama, boccole e tappini in nylon, viti e perno in acciaio inox.



Frame side and shutter side in extruded aluminum, zamak plates, nylon bushings and caps, stainless steel screws and pin.



Paumelle côté dormant et côté ouvrant en aluminium extrudé, plaques en zamak, bagues et bouchons en nylon, vis et pivot en acier inox.

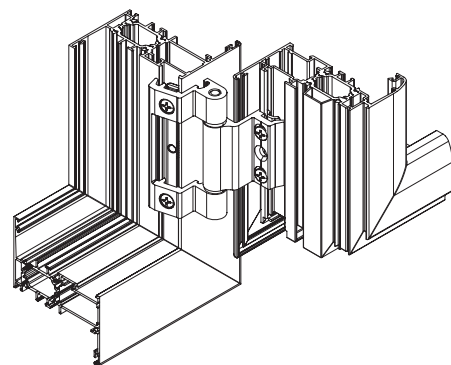
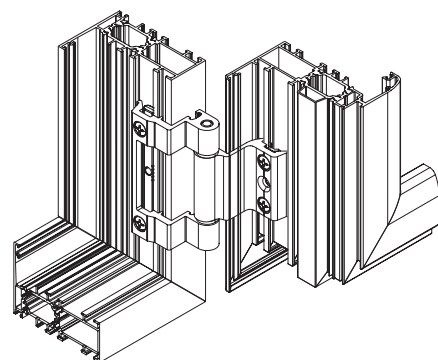
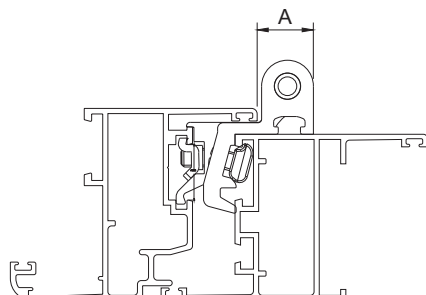
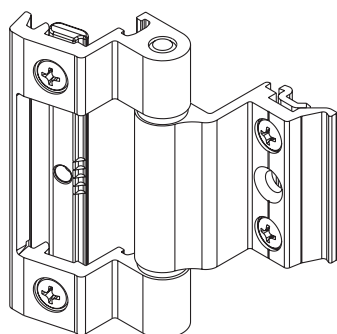


Bisagra del lado del marco y de la hoja de aluminio extruido, placas de zamak, casquillos y tapones de nylon, tornillos y perno de acero inox.



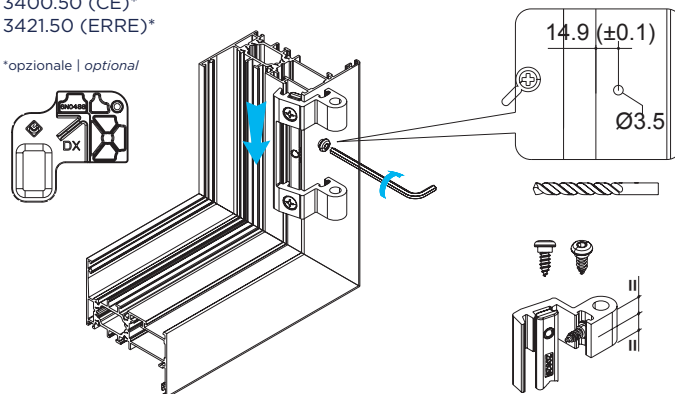
| ART.  | TUTTI   ALL   TOUS   TODOS |
|---|----------------------------|
| Imballo   Package   Conditionnement   Embalaje  | 10 PZ                      |
| Finiture disponibili   Available finishes<br>Finitions disponibles   Acabados disponibles | 1 2 3 4                    |

Art. 3420.71 | 3421.71



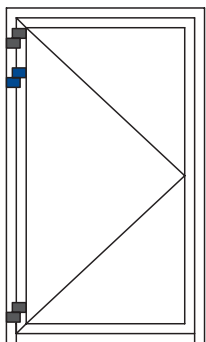
Dima | Template  
3400.50 (CE)\*  
3421.50 (ERRE)\*

\*opzionale | optional

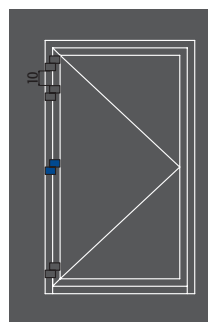
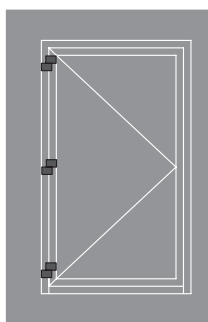
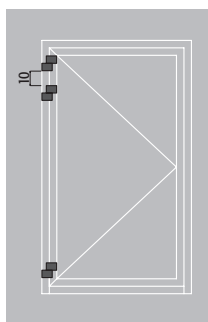
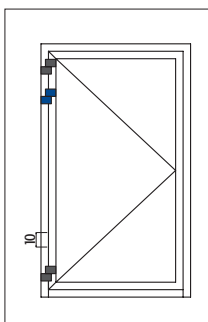




| DESCRIZIONE<br>DESCRIPTION  | ART     | NODO<br>SECTION              | A  |
|---|---------|------------------------------|----|
| Cerniera a pettine in alluminio estruso<br>Comb hinge in extruded aluminium | 3420.71 | A01 - A02 - A03<br>A05 - A06 | 15 |
| Cerniera a pettine in alluminio estruso<br>Comb hinge in extruded aluminium | 3421.71 | A08                          | 15 |

## BATTENTE CASEMENT

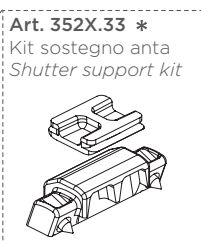
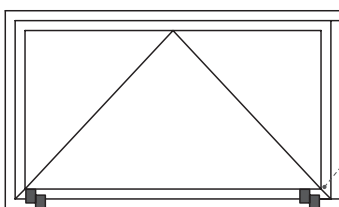


|      |      |      |      |      |      |      |      |      |      |      |
|------|------|------|------|------|------|------|------|------|------|------|
| H    | 2800 | 100% | 100% | 100% | 100% | 100% | 100% | 100% | 100% |      |
|      | 2700 | 100% | 100% | 100% | 100% | 100% | 100% | 100% | 100% |      |
|      | 2600 | 100% | 100% | 100% | 100% | 100% | 100% | 100% | 100% |      |
|      | 2500 | 100% | 100% | 100% | 100% | 100% | 100% | 100% | 100% |      |
|      | 2400 | 100% | 100% | 100% | 100% | 100% | 100% | 100% | 100% |      |
|      | 2300 | 100% | 100% | 100% | 100% | 100% | 100% | 100% | 100% |      |
|      | 2200 | 100% | 100% | 100% | 100% | 100% | 100% | 100% | 97%  |      |
|      | 2100 | 100% | 100% | 100% | 100% | 100% | 100% | 100% | 90%  |      |
|      | 2000 | 100% | 100% | 100% | 100% | 100% | 100% | 94%  | 83%  |      |
|      | 1900 | 100% | 100% | 100% | 100% | 100% | 98%  | 86%  | 76%  |      |
| 1800 | 100% | 100% | 100% | 100% | 100% | 90%  | 78%  | 69%  |      |      |
| 1700 | 100% | 100% | 100% | 100% | 100% | 95%  | 82%  | 71%  |      |      |
| 1600 | 100% | 100% | 100% | 100% | 100% | 85%  | 73%  | 63%  |      |      |
| 1500 | 100% | 100% | 100% | 100% | 90%  | 76%  | 65%  | N.D. |      |      |
| 1400 | 100% | 100% | 100% | 96%  | 80%  | 67%  | 57%  | N.D. |      |      |
| 1300 | 100% | 100% | 100% | 84%  | 70%  | 58%  | N.D. | N.D. |      |      |
| 1200 | 100% | 100% | 90%  | 73%  | 60%  | N.D. | N.D. | N.D. |      |      |
| 1100 | 100% | 97%  | 78%  | 62%  | 50%  | N.D. | N.D. | N.D. |      |      |
| 1000 | 100% | 83%  | 65%  | 51%  | N.D. | N.D. | N.D. | N.D. |      |      |
|      |      | 600  | 700  | 800  | 900  | 1000 | 1100 | 1200 | 1300 | 1400 |
|      |      | L    |      |      |      |      |      |      |      |      |

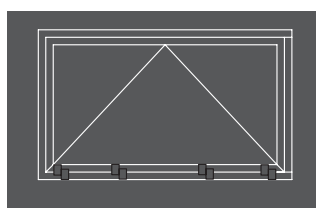
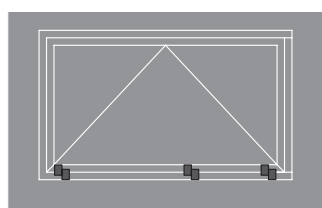
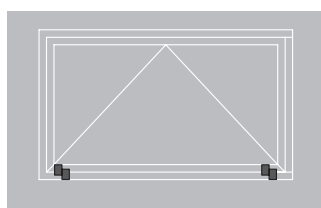




| ART.    |   | PORTATA<br>LOAD CAPACITY |
|---------|---|--------------------------|
| 3420.71 |   | 100% = 80 Kg             |
| 3421.71 |   | 100% = 80 Kg             |
| 3420.71 | +  | 100% = 120 Kg            |
| 3521.71 | +  | 100% = 120 Kg            |

## VASISTAS PESANTE HEAVY BOTTOM HINGE WINDOW



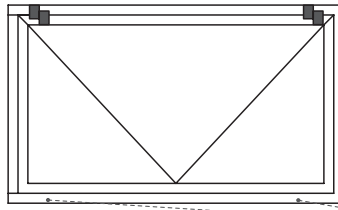
|   |      |     |      |      |      |
|---|------|-----|------|------|------|
| H | 2000 | 90% | 100% | 100% | 100% |
|   | 1600 | 75% | 100% | 100% | 100% |
|   | 1100 | 75% | 100% | 100% | 90%  |
|   | 500  | 60% | 60%  | 75%  | 100% |
|   |      | 500 | 1100 | 1600 | 2000 |
|   |      | L   |      |      |      |



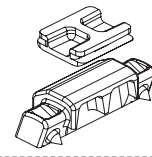
| ART.    | *   | PORTATA<br>LOAD CAPACITY |
|---------|---|--------------------------|
| 3420.71 | +  | 100% = 200 Kg            |
| 3421.71 | +  | 100% = 140 Kg            |

\* OBBLIGATORIO  
MANDATORY

# SPORGERE PROJECTING OPENING

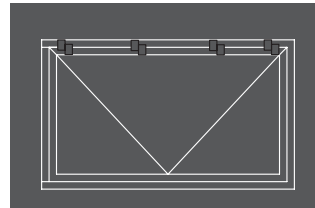
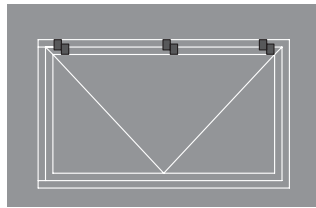
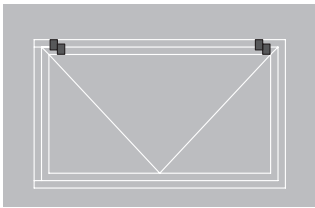


Art. 352X.33 \*  
Kit sostegno anta  
Shutter support kit



|   |      |      |      |      |      |      |      |      |      |      |      |      |      |      |      |      |      |      |      |      |
|---|------|------|------|------|------|------|------|------|------|------|------|------|------|------|------|------|------|------|------|------|
| H | 2000 | 100% | 100% | 100% | 100% | 100% | 100% | 100% | 100% | 100% | 100% | 100% | 100% | 100% | 100% | 100% | 100% | 100% | 100% |      |
|   | 1900 | 100% | 100% | 100% | 100% | 100% | 100% | 100% | 100% | 100% | 100% | 100% | 100% | 100% | 100% | 100% | 100% | 100% | 100% |      |
|   | 1800 | 100% | 100% | 100% | 100% | 100% | 100% | 100% | 100% | 100% | 100% | 100% | 100% | 100% | 100% | 100% | 100% | 100% | 100% |      |
|   | 1700 | 100% | 100% | 100% | 100% | 100% | 100% | 100% | 100% | 100% | 100% | 100% | 100% | 100% | 100% | 100% | 100% | 100% | 100% |      |
|   | 1600 | 100% | 100% | 100% | 100% | 100% | 100% | 100% | 100% | 100% | 100% | 100% | 100% | 100% | 100% | 100% | 100% | 100% | 100% |      |
|   | 1500 | 100% | 100% | 100% | 100% | 100% | 100% | 100% | 100% | 100% | 100% | 100% | 100% | 100% | 100% | 100% | 100% | 100% | 100% |      |
|   | 1400 | 100% | 100% | 100% | 100% | 100% | 100% | 100% | 100% | 100% | 100% | 100% | 100% | 100% | 100% | 100% | 100% | 100% | 100% |      |
|   | 1300 | 100% | 100% | 100% | 100% | 100% | 100% | 100% | 100% | 100% | 100% | 100% | 100% | 100% | 100% | 100% | 100% | 100% | 100% |      |
|   | 1200 | 100% | 100% | 100% | 100% | 100% | 100% | 100% | 100% | 100% | 100% | 100% | 100% | 100% | 100% | 100% | 100% | 100% | 100% |      |
|   | 1100 | 100% | 100% | 100% | 100% | 100% | 100% | 100% | 100% | 100% | 100% | 100% | 100% | 100% | 100% | 100% | 100% | 100% | 100% |      |
|   | 1000 | 100% | 100% | 100% | 100% | 100% | 100% | 100% | 100% | 100% | 100% | 100% | 100% | 100% | 100% | 100% | 100% | 100% | 100% |      |
|   | 900  | 100% | 100% | 100% | 100% | 100% | 100% | 100% | 100% | 100% | 100% | 100% | 100% | 100% | 100% | 100% | 100% | 100% | N.D. |      |
|   | 800  | 100% | 100% | 100% | 100% | 100% | 100% | 100% | 100% | 100% | 100% | 100% | 100% | 100% | 100% | N.D. | N.D. | N.D. | N.D. |      |
|   | 700  | 100% | 100% | 100% | 100% | 100% | 100% | 100% | 100% | 100% | 100% | 100% | 100% | 100% | N.D. | N.D. | N.D. | N.D. | N.D. |      |
|   | 600  | 100% | 100% | 100% | 100% | 100% | 100% | 100% | 100% | 100% | 100% | N.D. | N.D. | N.D. | N.D. | N.D. | N.D. | N.D. | N.D. |      |
|   | 500  | 100% | 100% | 100% | 100% | 100% | 100% | 100% | 100% | N.D. | N.D. | N.D. | N.D. | N.D. | N.D. | N.D. | N.D. | N.D. | N.D. |      |
|   | 400  | 100% | 100% | 100% | 100% | 100% | N.D. | N.D. | N.D. | N.D. | N.D. | N.D. | N.D. | N.D. | N.D. | N.D. | N.D. | N.D. | N.D. |      |
|   | 300  | 100% | 100% | 100% | 100% | N.D. | N.D. | N.D. | N.D. | N.D. | N.D. | N.D. | N.D. | N.D. | N.D. | N.D. | N.D. | N.D. | N.D. |      |
|   |      |      | 300  | 400  | 500  | 600  | 700  | 800  | 900  | 1000 | 1100 | 1200 | 1300 | 1400 | 1500 | 1600 | 1700 | 1800 | 1900 | 2000 |

L



| ART.    | * | PORTATA<br>LOAD CAPACITY |
|---------|---|--------------------------|
| 3420.71 | + | 100% = 120 Kg            |
| 3421.71 | + | 100% = 110 Kg            |

\* OBBLIGATORIO  
MANDATORY