



291 N

Chiavi a pipa passante doppie



DATI TECNICI

- Serie pesante a bocca diritta esagonale profonda e piegata poligonale
- Entrambi i profili esagonali fino alla misura da 9 mm
- Apertura passante per viti sporgenti o spine di manovra
- Esecuzione cromata

NORMATIVE

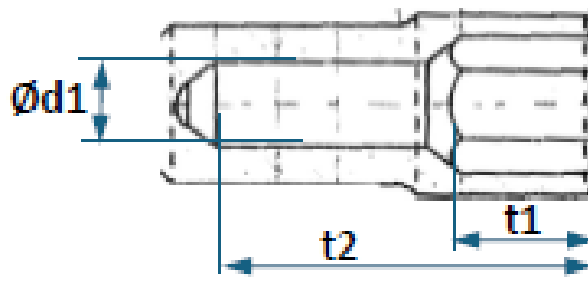
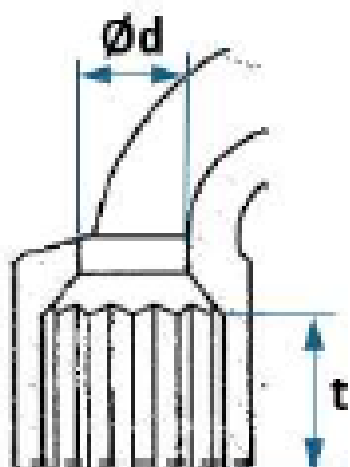
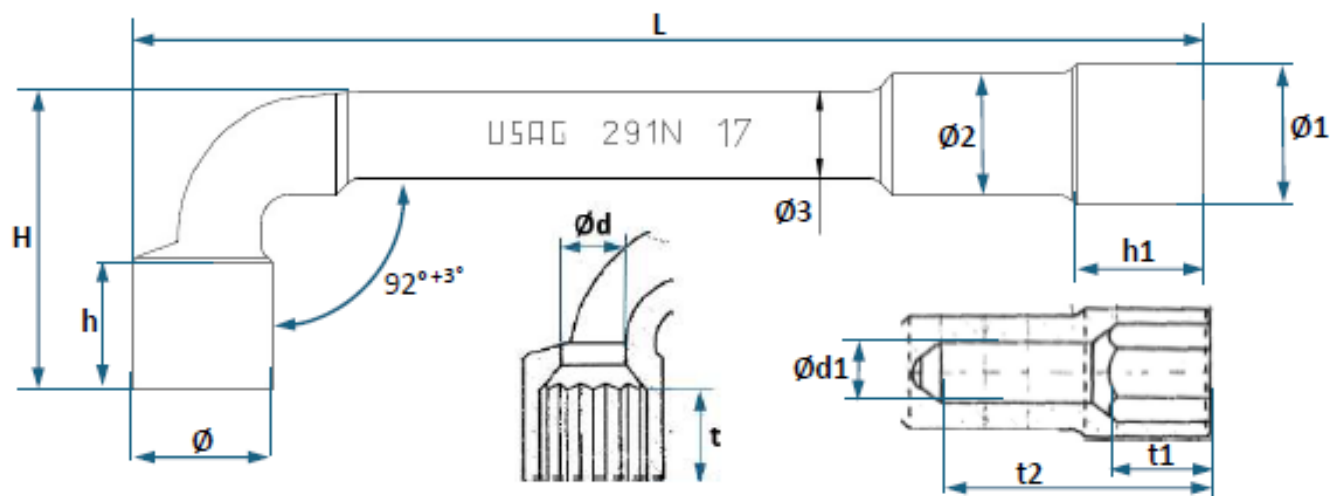
- ISO 2236 ISO 691



291 N

Chiavi a pipa passante doppie

DISEGNO





291 N

Chiavi a pipa passante doppie

TABELLA DISEGNO

| misura | L | Ø | Ø1 | Ø2 | Ø3 | h | h1 | H |
|--------|-------|--------------|--------------|--------------|----|------|------|----|
| 6 | 102±3 | 10 0/-0.15 | 10 0/-0.15 | 9 0/-0.15 | 7 | 10 | 10 | 24 |
| 7 | 106±3 | 11 0/-0.2 | 11 0/-0.2 | 10 0/-0.15 | | | | |
| 8 | 114±3 | 12.5 0/-0.2 | 12.5 0/-0.2 | 11.5 0/-0.2 | 9 | 12 | 12 | 27 |
| 9 | 122±3 | 13.5 0/-0.2 | 13.5 0/-0.2 | 12.5 0/-0.2 | | | | |
| 10 | 129±3 | 15 0/-0.2 | 15 0/-0.2 | 13.5 0/-0.2 | 10 | 13 | 13 | 30 |
| 11 | 136±3 | 16.5 0/-0.2 | 16.5 0/-0.2 | 14.5 0/-0.2 | | | | |
| 12 | 144±4 | 18 0/-0.2 | 18 0/-0.2 | 16 0/-0.2 | 11 | 17 | 17 | 36 |
| 13 | 152±4 | 19.5 0/-0.2 | 19.5 0/-0.2 | 17.5 0/-0.2 | | | | |
| 14 | 160±4 | 21 0/-0.2 | 21 0/-0.2 | 18 0/-0.2 | 12 | 17.5 | 17.5 | 40 |
| 15 | 169±4 | 22.5 0/-0.2 | 22.5 0/-0.2 | | | | | |
| 16 | 178±4 | 24 0/-0.2 | 24 0/-0.2 | 20.5 0/-0.2 | 13 | 18 | 18 | 42 |
| 17 | 187±4 | 25.5 0/-0.2 | 25.5 0/-0.2 | | | | | |
| 18 | 195±4 | 26.5 0/-0.2 | 26.5 0/-0.2 | 20.5 0/-0.2 | 14 | 19.5 | 19.5 | 46 |
| 19 | 204±4 | 28.5 0/-0.2 | 28.5 0/-0.2 | | | | | |
| 20 | 212±4 | 29.5 0/-0.2 | 29.5 0/-0.2 | 24 0/-0.2 | 15 | 20.5 | 20.5 | 50 |
| 21 | 221±5 | 30.5 0/-0.2 | 30.5 0/-0.2 | | | | | |
| 22 | 230±5 | 32 0/-0.2 | 32 0/-0.2 | 25 0/-0.2 | 16 | 22.5 | 22.5 | 52 |
| 23 | 240±5 | 33.5 0/-0.2 | 33.5 0/-0.2 | | | | | |
| 24 | 250±5 | 34.5 0/-0.2 | 34.5 0/-0.2 | 28 0/-0.2 | 17 | 24.5 | 24.5 | 56 |
| 25 | 260±5 | 36 0/-0.25 | 36 0/-0.25 | | | | | |
| 26 | 270±5 | 37 0/-0.25 | 37 0/-0.25 | 30.5 0/-0.25 | 18 | 25.5 | 25.5 | 60 |
| 27 | 280±5 | 38 0/-0.25 | 38 0/-0.25 | | | | | |
| 28 | 290±5 | 39.5 0/-0.25 | 39.5 0/-0.25 | 33.5 0/-0.25 | 19 | 27 | 27 | 63 |
| 30 | 315±5 | 42 0/-0.25 | 42 0/-0.25 | | | | | |
| 32 | 330±5 | 44.5 0/-0.25 | 44.5 0/-0.25 | 38 0/-0.25 | 20 | 30 | 30 | 70 |
| | | | | | | | | |
| | | | | 30.5 0/-0.25 | 21 | 31 | 31 | 78 |
| | | | | | | | | |
| | | | | 33.5 0/-0.25 | 22 | 32 | 32 | 84 |
| | | | | | | | | |
| | | | | 36 0/-0.25 | 23 | 35 | 35 | 96 |
| | | | | | | | | |
| | | | | 38 0/-0.25 | 24 | 39 | 39 | |
| | | | | | | | | |
| | | | | 38 0/-0.25 | 25 | 40 | 40 | |
| | | | | | | | | |

| Ød ±0.3 | Ød1 ±0.3 | t min. | t1 min. | t2 min. | L1 | V1 | V2 |
|---------|----------|--------|---------|---------|----|------|-----|
| 4.5 | 4.5 | 6 | 6 | 21 | 23 | 2.6 | 2.1 |
| | | 7 | 7 | 22 | | | |
| 6 | 6 | 8 | 8 | 25 | 24 | 3.26 | 2.5 |
| | | 9 | 9 | 26 | | | |
| 7 | 7 | 10 | 10 | 28 | 29 | 4.1 | 3.5 |
| | | 11 | 11 | 30 | | | |
| 8 | 8 | 12 | 12 | 38 | 30 | 5 | 4.5 |
| | | 13 | 13 | 40 | | | |
| 9 | 9 | 14 | 14 | 42 | 32 | 5 | 4.5 |
| | | 16 | 16 | 46 | | | |
| 12 | 12 | 17 | 17 | 48 | 40 | 5 | 4.5 |
| | | 18 | 18 | 50 | | | |
| 13 | 13 | 19 | 19 | 51 | 42 | 5 | 4.5 |
| | | 20 | 20 | 53 | | | |
| 14 | 14 | 21 | 21 | 55 | 45 | 5 | 4.5 |
| | | 22 | 22 | 57 | | | |
| 15 | 15 | 23 | 23 | 64 | 44 | 5 | 4.5 |
| | | 24 | 24 | 67 | | | |
| 16 | 16 | 25 | 25 | 69 | 46 | 5 | 4.5 |
| | | 26 | 26 | 70 | | | |
| 17 | 17 | 27 | 27 | 73 | 53 | 5 | 4.5 |
| | | 28 | 28 | 75 | | | |
| 19 | 19 | 30 | 30 | 83 | 55 | 5 | 4.5 |
| | | 31 | 31 | 86 | | | |
| 21 | 21 | 30 | 30 | 83 | 56 | | |
| 22.6 | 22.6 | 31 | 31 | 86 | 55 | | |

Dimensioni in mm



291 N

Chiavi a pipa passante doppie

MATERIALI

Acciaio: 40CrV

Cromatura: Cromata lucida

CONFEZIONAMENTO

- Sacchetto di plastica per confezione da 1 e 2pz, scatola di cartone per 5pz



Stanley Black & Decker Italia Srl
Via Volta, 3 - 21020 Monvalle (VA)
Tel. +39 0332 790111 - Fax +39 0332 790330
info.mv@usag.it

USAG.IT
USAG-TOOLS.NET

UK Importer - USAG UK, 270 Bath Rd, Slough SL1 4DX, England