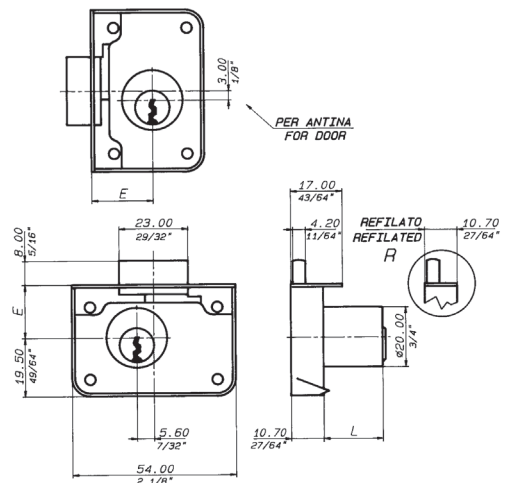
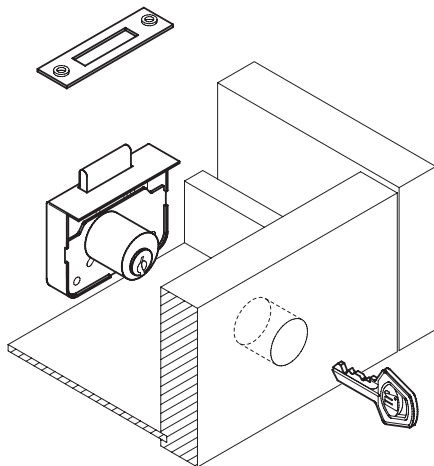
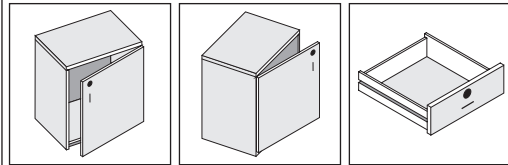


2203

SERRATURA DA APPLICARE SCREW-ON LOCK

SERIE
22

2203	2203	SCATOLA IN ACCIAIO	STEEL BODY
		Grezza	Unfinished
R		Refilata	Refilated
OT		Ottonata	Brass plated
ROT		Refilata ottonata	Refilated brass plated
		FUNZIONAMENTO	OPERATION
		Rotazione 360° (2 uscite chiave)	Rotating 360° (2 key pull)
		CILINDRO Ø 20 vedi pag. 4 "L"	CYLINDER Ø 25/32" see page 4 "L"
20	mm 20		25/32"
		CIFRATURE vedi pag 5	KEY-CHANGES see page 5
		KD chiavi differenti	KD keyed differently
A		KA chiavi uguali	KA keyed alike
X		Gruppi di KA	KA in groups
M		Chiave maestra	Master key
		CHIAVE	KEY
		Art.1824 (2 pz)	Art.1824 (2 pcs)
		FINITURE	FINISHES
4		Ottone decapato (US4)	Pickled brass (US4)
14		Ottone nichelato (US14)	Nickel plated brass (US14)
		ENTRATA	BACKSET
		"E"	"E"
20	mm 20	Peso di un pz	Weight os 1's
25	mm 25	g 141,30	25/32"
30	mm 30	g 145,70	63/64"
35	mm 35	g 149,90	1 3/16"
40	mm 40	g 154,10	1 3/8"
40	mm 40	g 158,30	1 37/64"
50	mm 50	g 166,70	1 31/32"
		APPLICAZIONI	APPLICATIONS
		Cassetto e antina destra	Drawer and R/H door
S		Antina sinistra	L/H door
		ACCESSORI	ACCESSORIES
		1 ghiera Art.1720	1 ring Art.1720
		1 controbordo Art.800	1 striking plate Art.800
		CONFEZIONI	PACKAGING
		Commercio 20 pz	Boxed in 20's
I		Industria 100 pz	Bulk in 100's



	E	20	25	30	35	40	50
Cassetto	17,70	22,70	27,70	32,70	37,70	47,70	
Drawer	45/64"	57/64"	1 3/32"	1 9/32"	1 31/64"	1 7/8"	
Antina	20,20	25,20	30,20	35,20	40,20	50,20	
Door	51/64"	63/64"	1 3/16"	1 25/64"	1 37/64"	1 31/32"	