



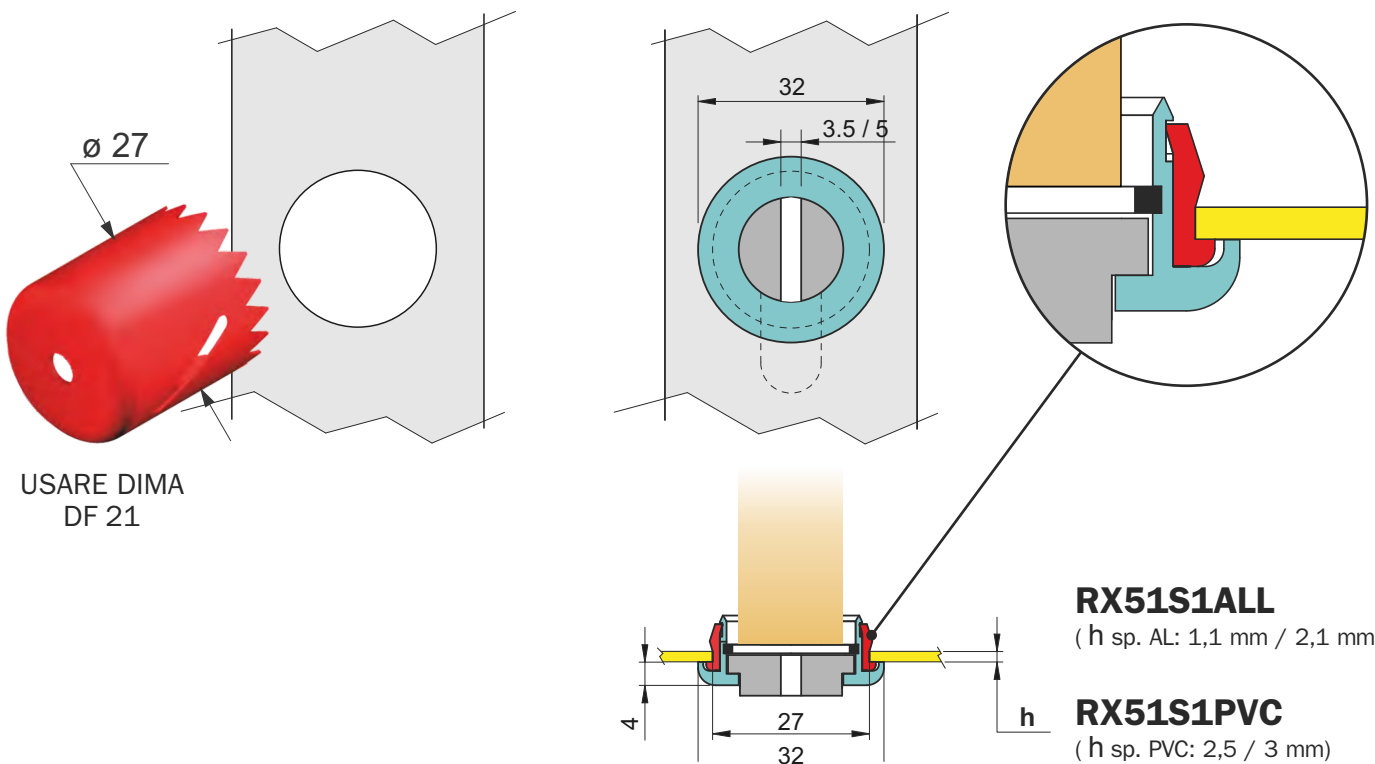
INOX

RX51S1ALL

(h sp. AL: 1,1 mm / 2,1 mm)

RX51S1PVC

(h sp. PVC: 2,5 / 3 mm)



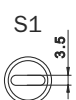
RX51S1ALL

(h sp. AL: 1,1 mm / 2,1 mm)

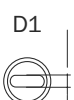
RX51S1PVC

(h sp. PVC: 2,5 / 3 mm)

Rotori disponibili / Protrusions covered



Standard



X Dom
su richiesta

