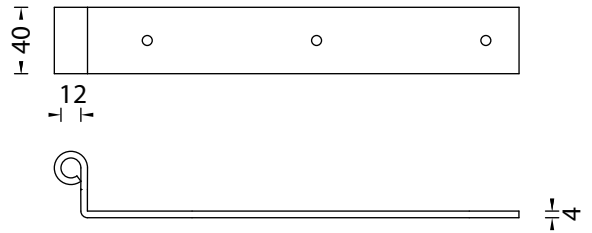


**Art. 308**



**BANDELLA PESANTE ZANCATA**  
ZANCA MM 26 - ZANCA MM 35  
*HEAVY FLAP CRANKED STRAP HINGE*  
FLAP MM 26 - FLAP MM 35

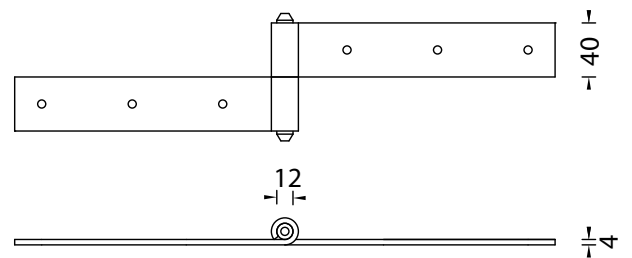
**Finitura/Coating**

Zinc. tropical / Yellow galvanized  
Nero / Black

**Codice/Code**

0308ZTZ26 - 0308ZTZ35  
0308NEZ26 - 0308NEZ35

**Art. 310**



**BANDELLA PESANTE**  
**LEGNO-LEGNO**  
*HEAVY FLAP STRAP HINGE*  
WOOD-WOOD

**Finitura/Coating**

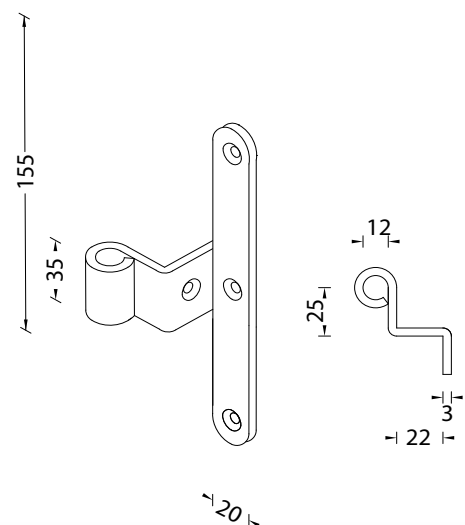
Zinc. tropical / Yellow galvanized  
Nero / Black

**Codice/Code**

0310ZT300 - 0310ZT350 - 0310ZT400 - 0310ZT500  
0310NE300 - 0310NE350 - 0310NE400 - 0310NE500

mm 300 + 300  
mm 350 + 350  
mm 400 + 400  
mm 500 + 500  
*\*destro come figura  
right as picture*

**Art. 500**



**MEZZO SQUADRO IN COSTA PER PERSIANE IN ALLUMINIO**  
*EMBEDDED T-HINGE FOR ALUMINIUM SHUTTERS*

**Finitura/Coating**

Nero / Black

**Codice/Code**

0500NE000